

SERVICE MANUAL 1250

marantz

model 1250

Stereo Console Amplifier

Section	Title	Page
1.	Power Amplifier Adjustment	1
2.	1.1 Adjustment of Idling Current	1
	1.2 DC-Offset Adjustment	1
2.	Power Supply Adjustment	1
3.	Test Equipment Required for Servicing	2
4.	Major Component Locations	4
	4.1 Cabinet-Front View	4
	4.2 Chassis-Top View	4
	4.3 Cabinet-Rear View	5
	4.4 Chassis-Bottom View	5
	4.5 Cabinet-Rear View-EUROPE	6
	4.6 Chassis-Bottom View-EUROPE	6
5.	Voltage Conversion for European Model	7
6.	Schematic Diagrams and Component Locations	8
	6.1 Selector Switch (PS00)	8
	6.2 Rotary Switch (PJ00)	9
	6.3 Phono and Mic Amp (P400)	10
	6.4 Pre and Tone Amp (PE00)	11
	6.5 Tone and Volume (PF00)	12
	6.6 Filter Amp (PH00)	13
	6.7 Power Amp (P700)	14
	6.8 Power Supply (P800)	15
	6.9 Relay (PN00)	16
	6.10 Buffer Amp (PG00)	16
7.	Inter Connection Diagram	17
8.	Exploded Views	19
	8.1 Mechanical Exploded View	19
	8.2 Packing Material Exploded View	21
9.	Parts List	22
10.	Technical Specifications	31
11.	Schematic Diagrams	33

1. POWER AMPLIFIER ADJUSTMENT

1.1 Adjustment of idling current

Connect VTVM between left channel J715 and J716. Adjust R724 until the meter reads 10mV. Similarly, connect VTVM between right channel J715 and J716 and adjust R724 until the meter reads 10mV.

1.2 DC-OFFSET adjustment

Connect VTVM to JN10 and JN14 (or ground) and adjust left channel R714 until the meter indication reaches 0mV (± 5 mV). Similarly, connect VTVM to JN11 and JN14 (or ground) and adjust right channel R714 until the meter indication reaches 0mV (± 5 mV).

2. POWER SUPPLY ADJUSTMENT

Connect a voltmeter between J810 and J812. Adjust R814 until meter indicates 55 VDC. Similarly connect a voltmeter between J816 and J812. Adjust R815 until meter indicates -55 VDC.

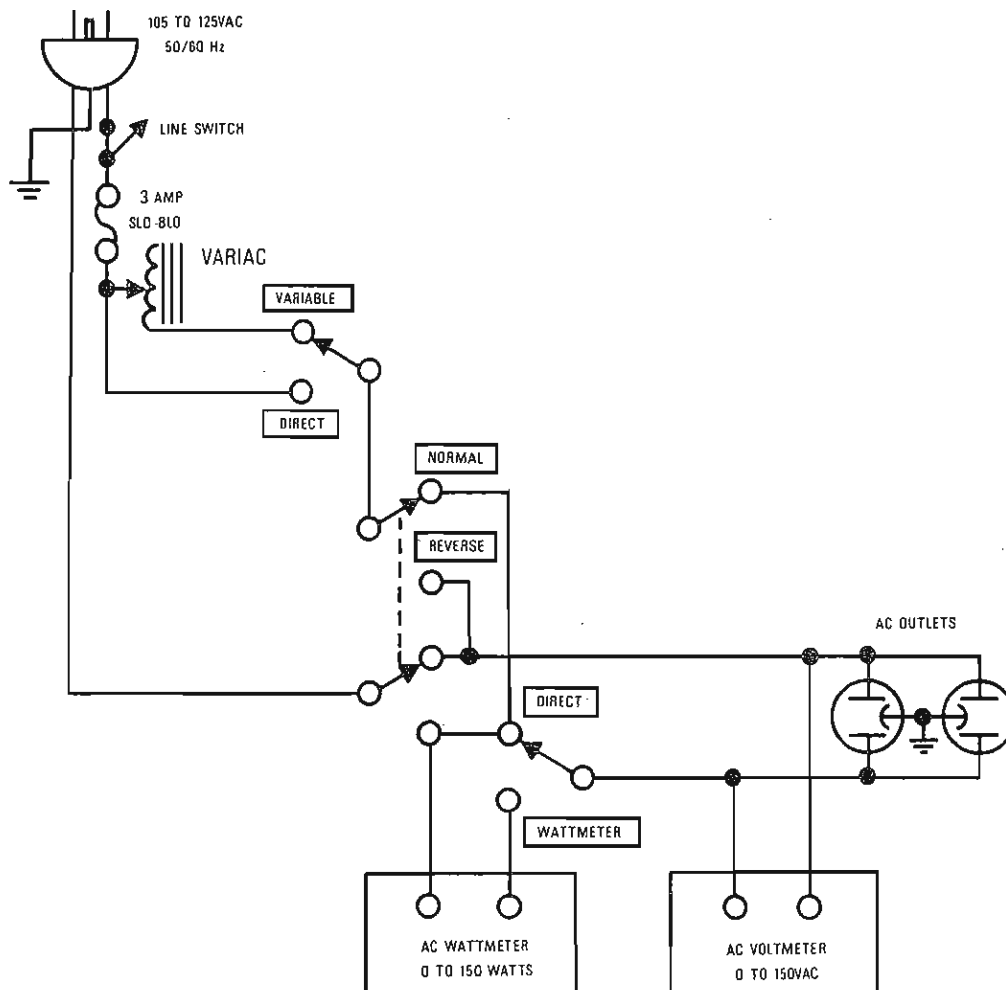


Figure 1. AC Power Control Box Simplified Schematic

3. TEST EQUIPMENT REQUIRED FOR SERVICING

Table 1 lists the test equipment required for servicing the Model 1250 Stereo Console Amplifier. The wattmeter, AC voltmeter, and variable autotransformer may be assembled as a test fixture as shown schematically in Figure 1. The load resistors and AC ammeter may be assembled into a second test fixture as shown in Figure 2.

Item	Manufacturer and Model No. (or equivalent)	Use
Distortion Analyzer	Hewlett Packard, Model 331A or 333A	Measures distortion and voltage of amplifier output.
Audio Oscillator	Weston Model CVO-100P (NOTE: Less than 0.02 percent residual distortion is required.)	Sinewave and squarewave source.
Oscilloscope	Tektronix, Model 503; Data, Model 555	Waveform analysis and troubleshooting.
VTVM	RCA Senior Volt-Ohmyst, Model WV-98C	Voltage and resistance measurements.
AC Wattmeter	Simpson, Model 390	Monitors primary power consumption of amplifier.
AC Ammeter (0 to 10 amps)	Commercial Grade	Monitors amplifier output under short circuit condition.
Line Voltmeter (0 to 150V AC)	Commercial Grade	Monitors potential of primary power to amplifier.
Variable Autotransformer (0 to 140V AC, 10 amps)	Powerstat, Model 116B	Adjusts level of primary power to amplifier.
Shorting Plug	Use phono plug with 600 ohms across center pin and shell.	Shorts amplifier input to eliminate noise pickup.
Power Supply Bleeder Resistor (10 ohms at 1W)	Commercial Grade	Discharges power supply filter capacitors prior to disassembly or resistance measurements.
Output Load Resistor ($8\Omega \pm 0.5\%$, 250W)	Commercial Grade	Provides 8-ohm load for amplifier output termination.
Output Load Resistor ($4\Omega \pm 0.5\%$, 250W)	Commercial Grade	Provides 4-ohm load for amplifier output termination.
Output Load Capacitor (0.5 mfd)	Mylar	Provides capacitive load for instability checks.
AC Power Control Box	Optional Item. Fabricate in accordance with Figure 1.	Monitors and controls primary power for amplifier.
Amplifier Output Load Box	Optional Item. Fabricate in accordance with Figure 2.	Provides various amplifier loads and can monitor shorted output.

Table 1. Test Equipment Required for Servicing

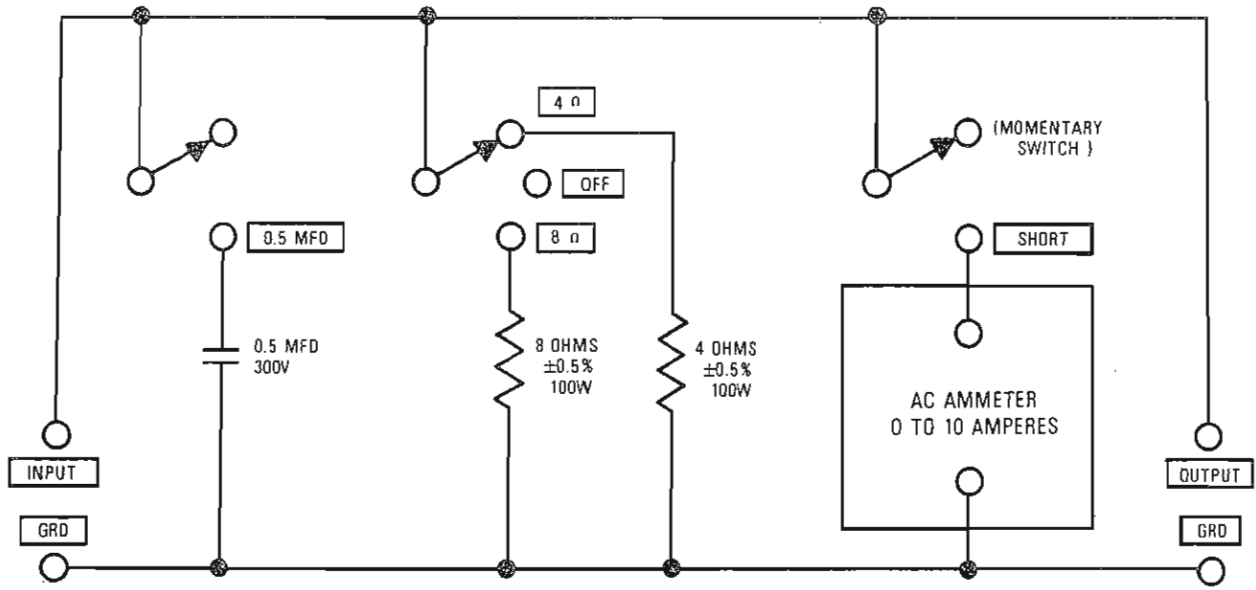
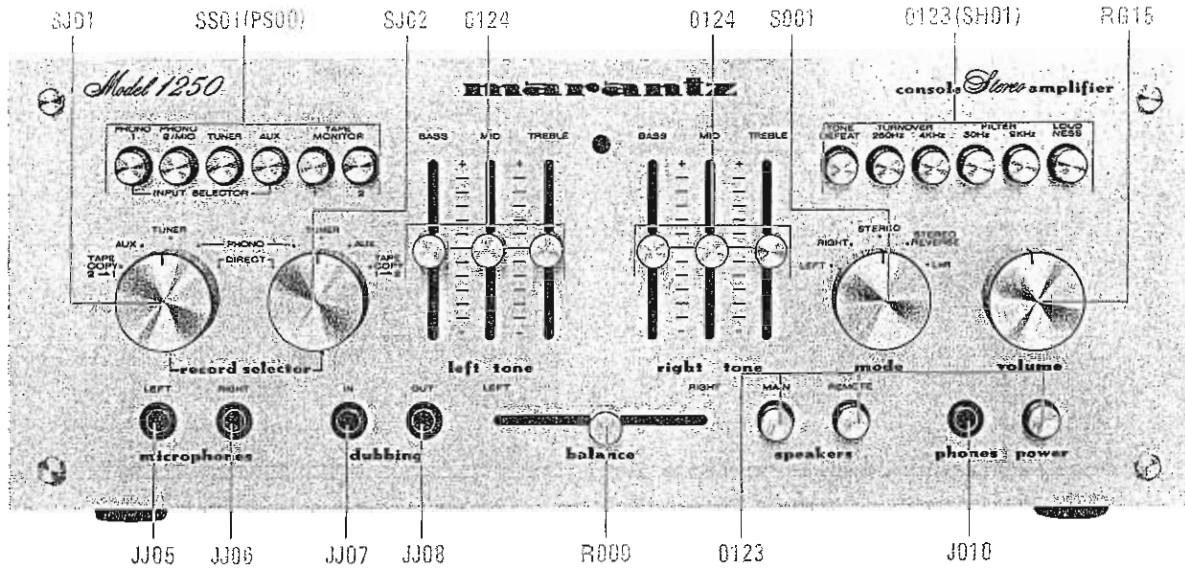


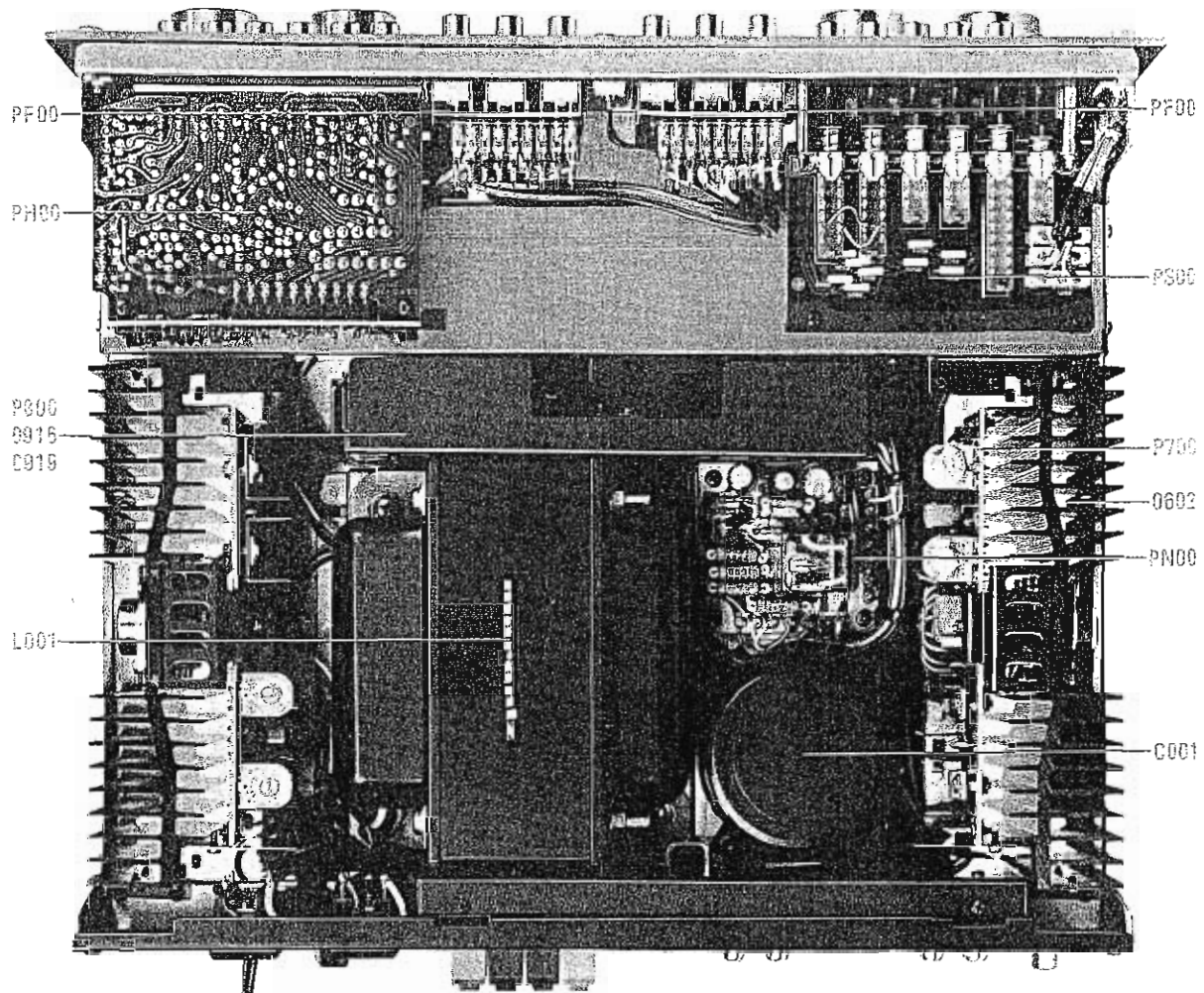
Figure 2. Amplifier Output Load Box Simplified Schematic

4. MAJOR COMPONENT LOCATIONS

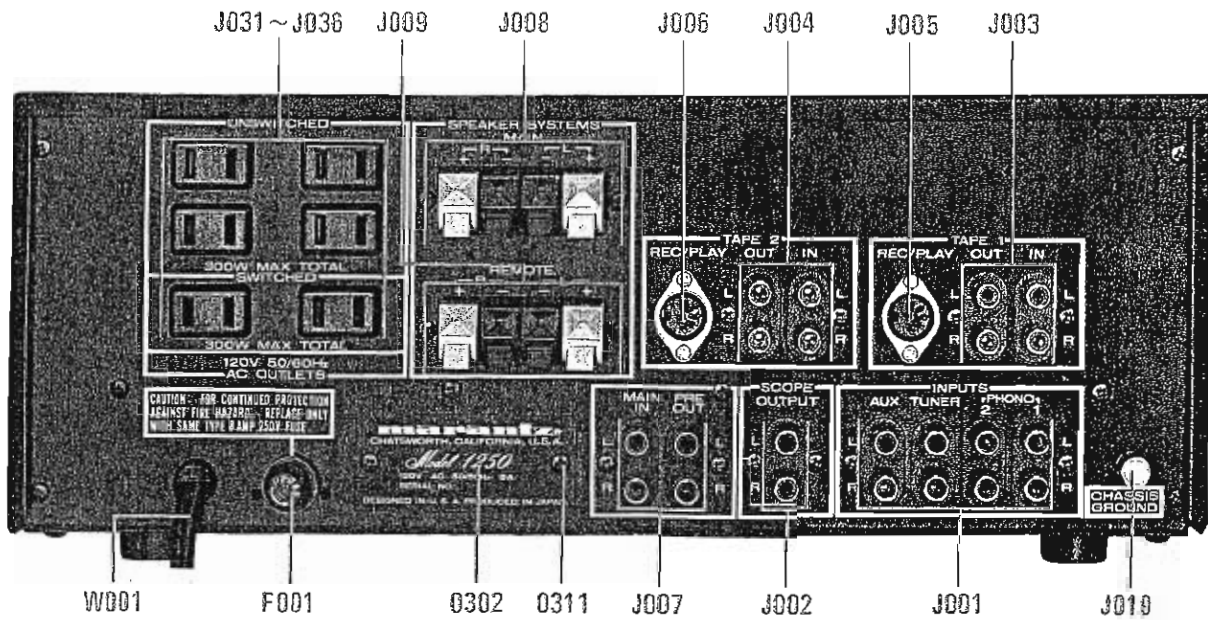
4.1 Cabinet – Front View



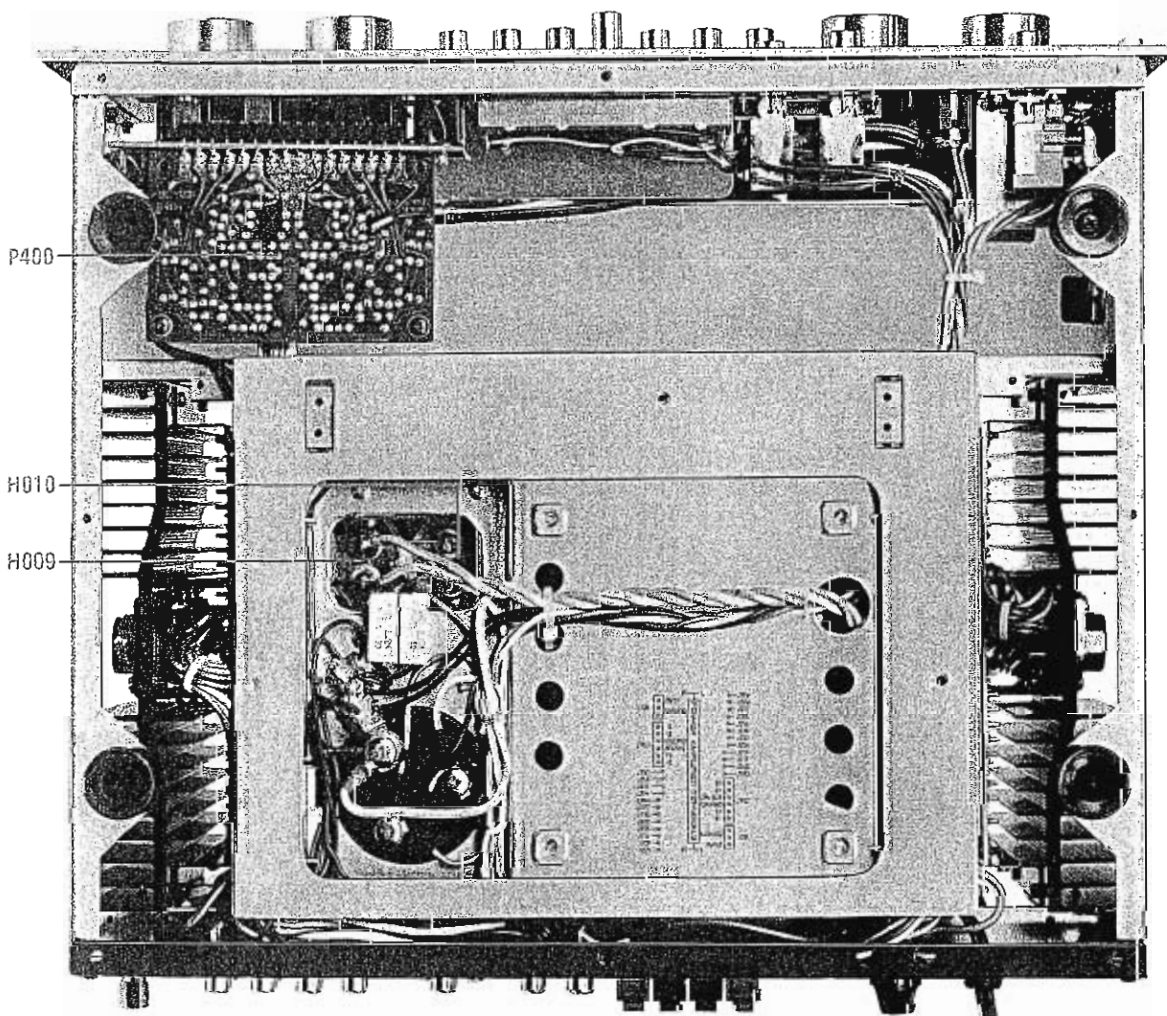
4.2 Chassis – Top View



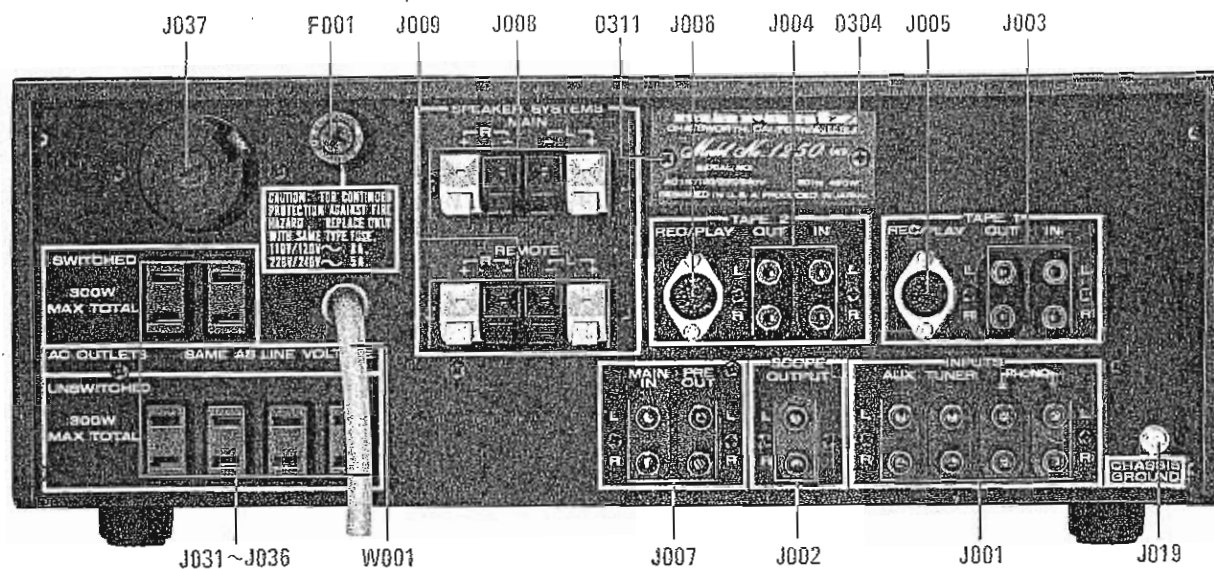
4.3 Cabinet – Rear View



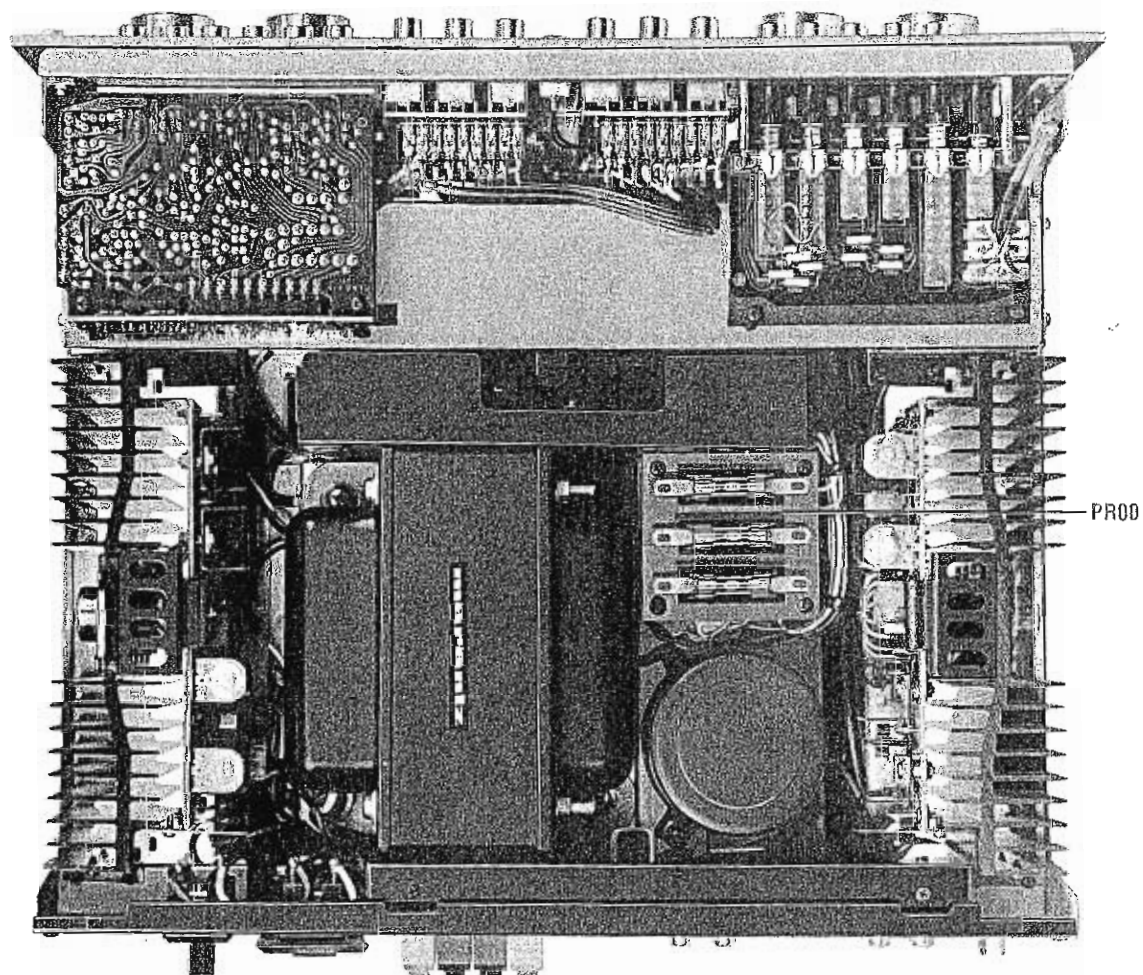
4.4 Chassis – Bottom View



4.5 Cabinet – Rear View – EUROPE



4.6 Chassis-Bottom View-EUROPE

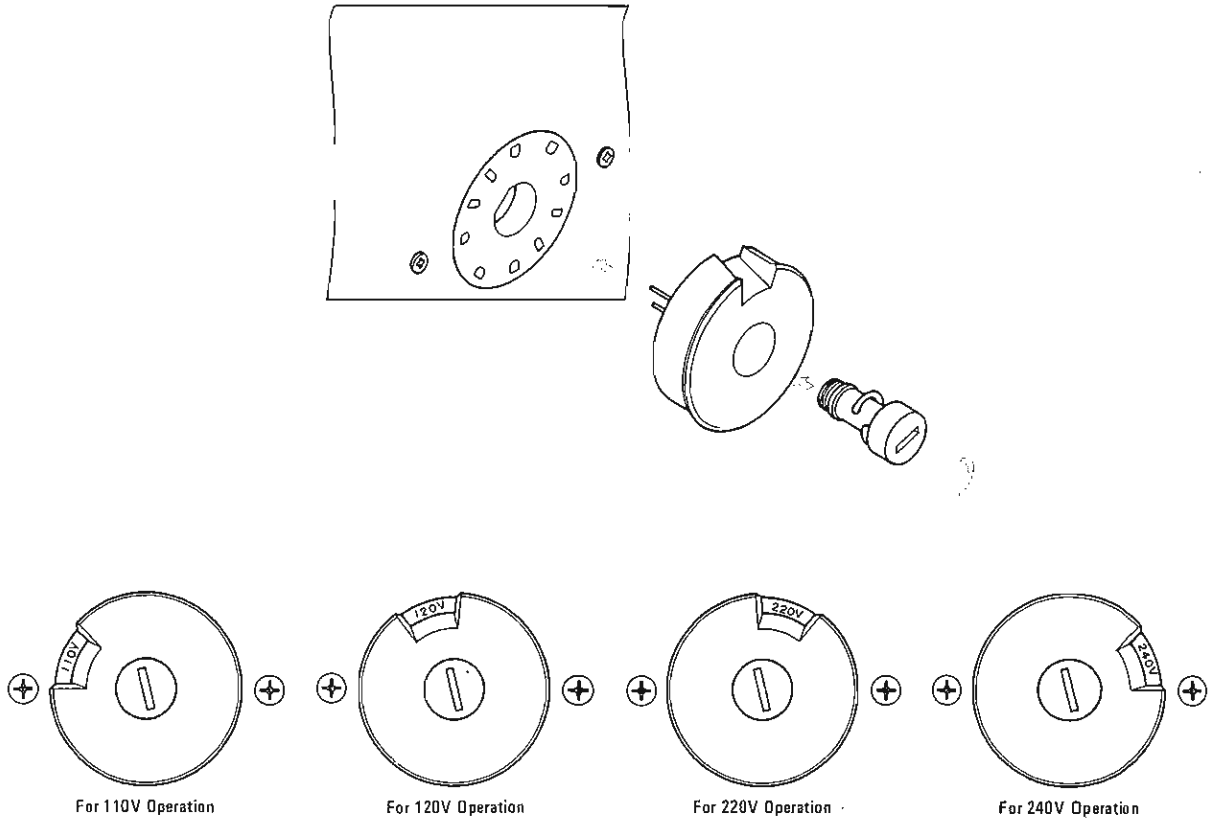


5. VOLTAGE CONVERSION FOR EUROPEAN MODEL

The European version of the Model 1250 is equipped with a universal power transformer that may be adjusted to operate at 110V, 120V, 220V, or 240V AC at 50 to 60 Hz.

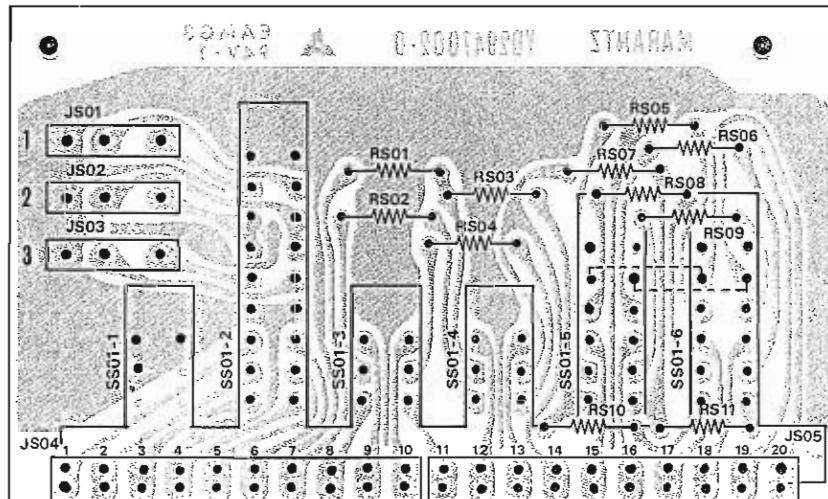
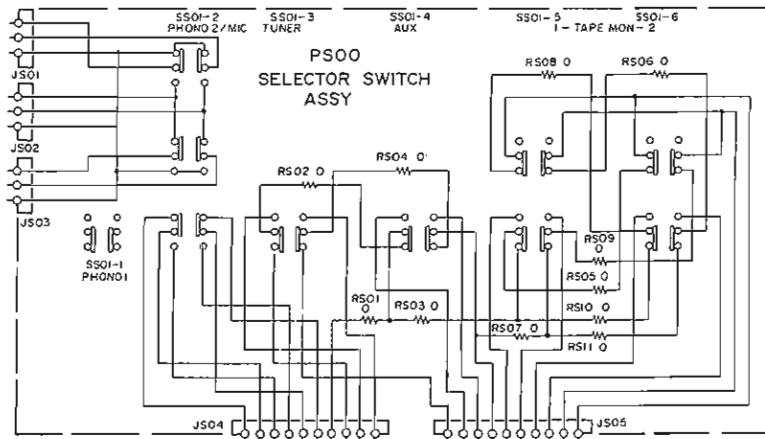
To convert the unit to a different power source voltage, reposition conversion plug as shown in the illustration below.

CAUTION: DISCONNECT POWER SUPPLY CORD FROM AC OUTLET BEFORE CONVERTING VOLTAGE.

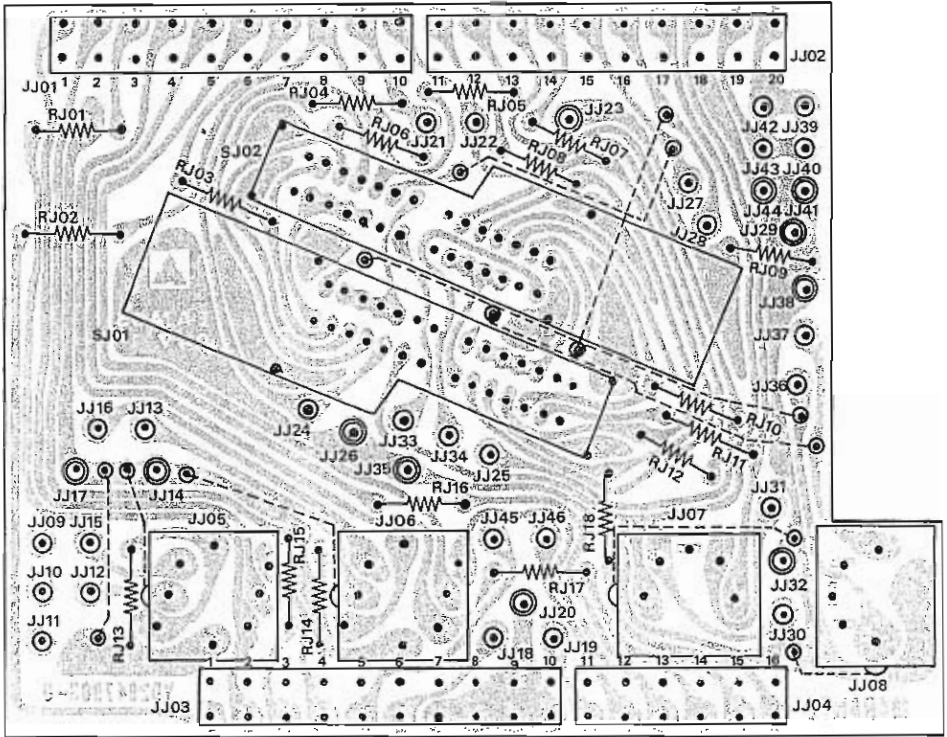
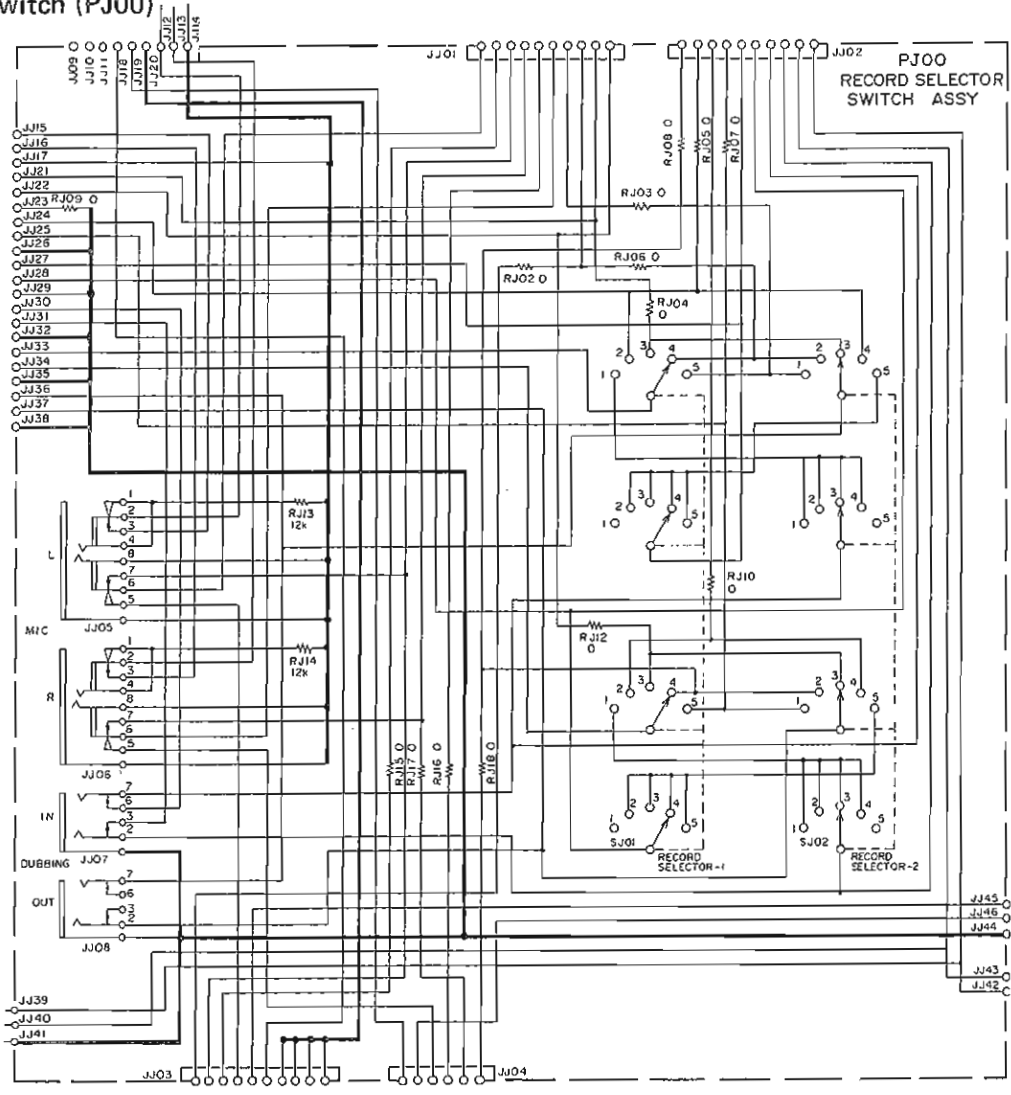


6. SCHEMATIC DIAGRAMS AND COMPONENT LOCATIONS

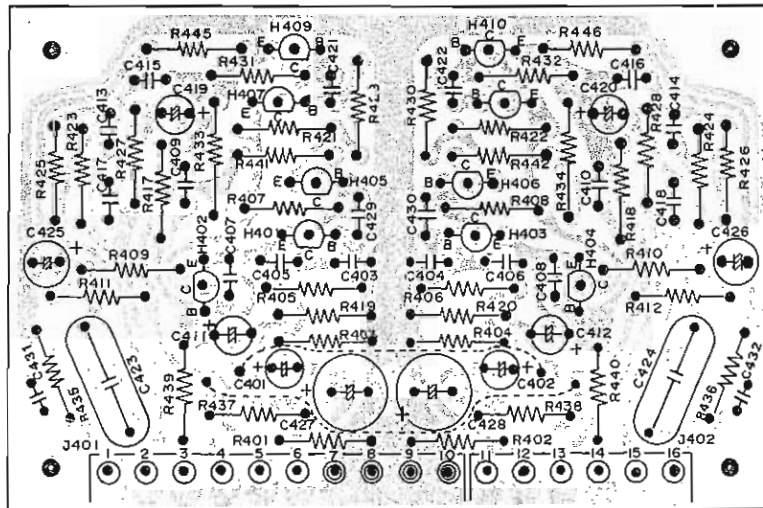
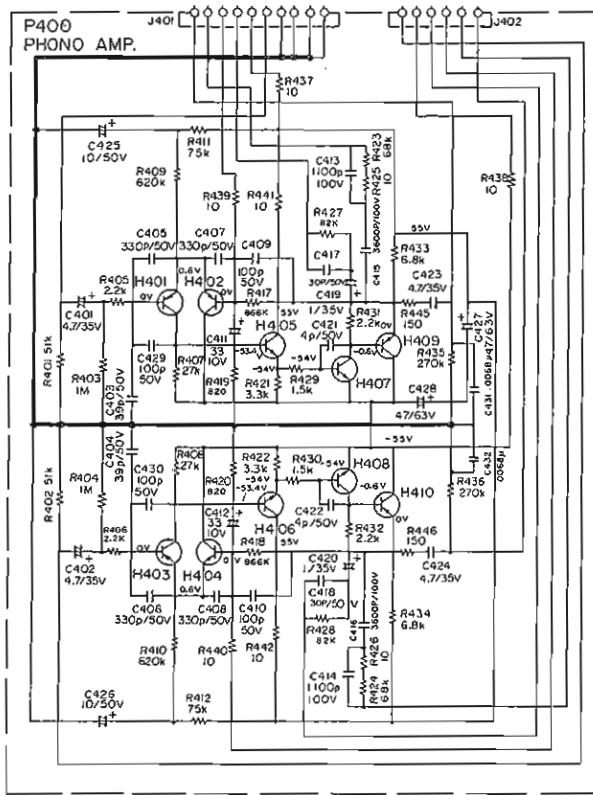
6.1 Selector Switch (PS00)



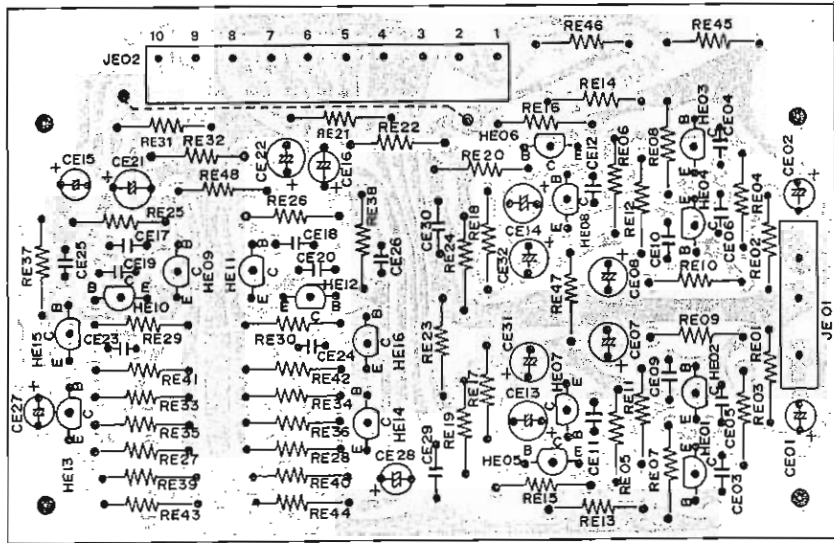
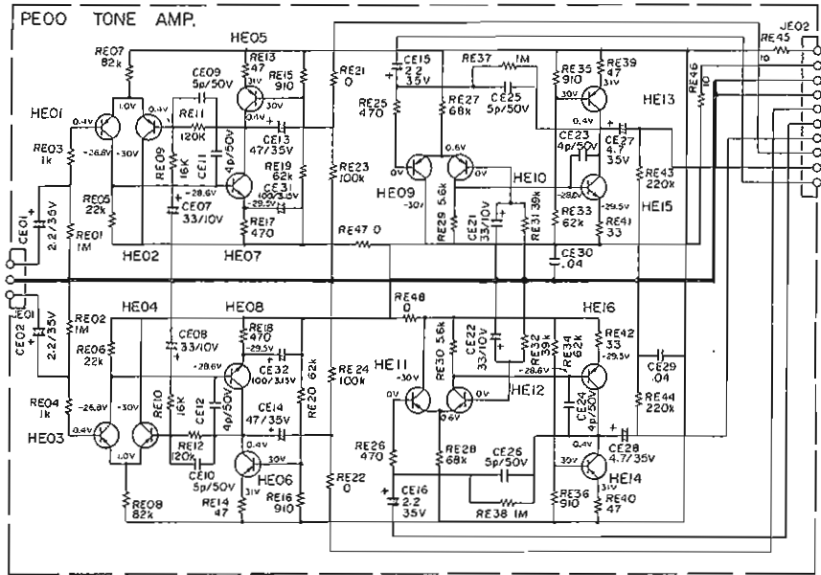
6.2 Rotary Switch (PJ00)



6.3 Phono and Mic Amp (P400)

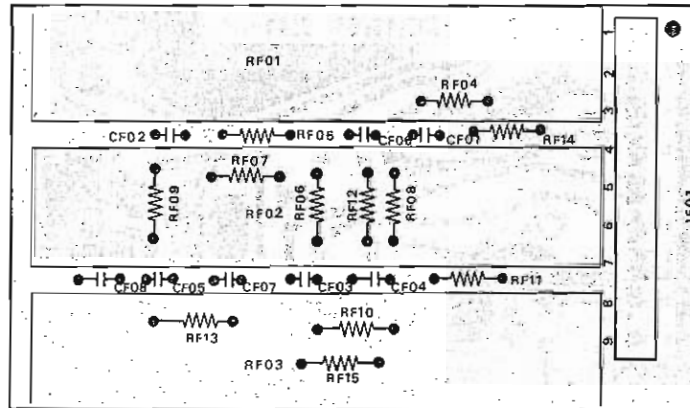
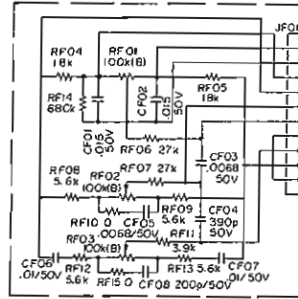


6.4 Pre and Tone Amp (PE00)

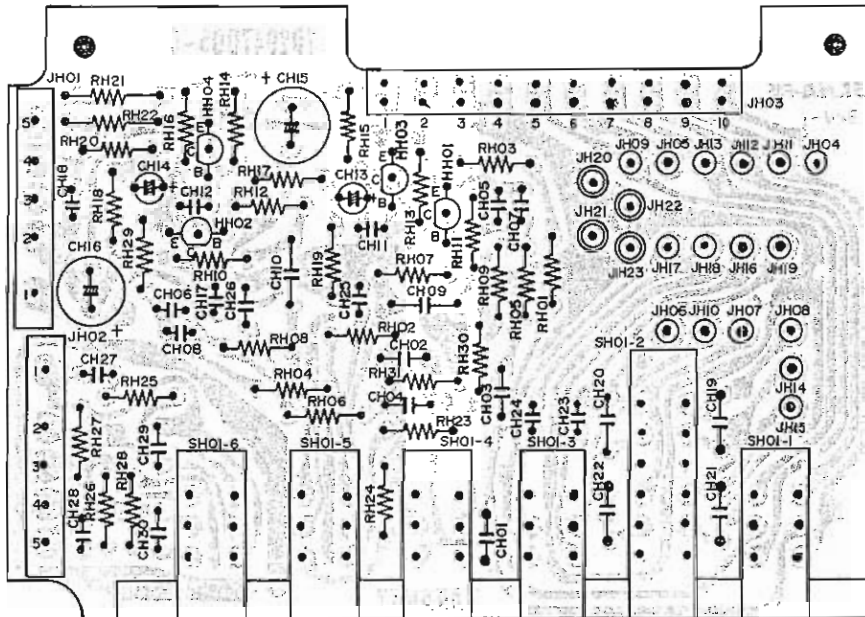
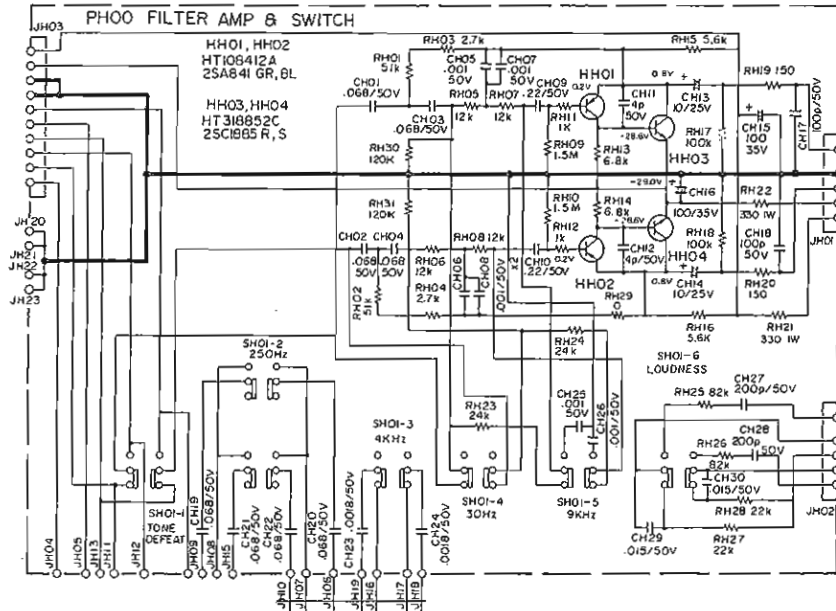


6.5 Tone and Volume (PF00)

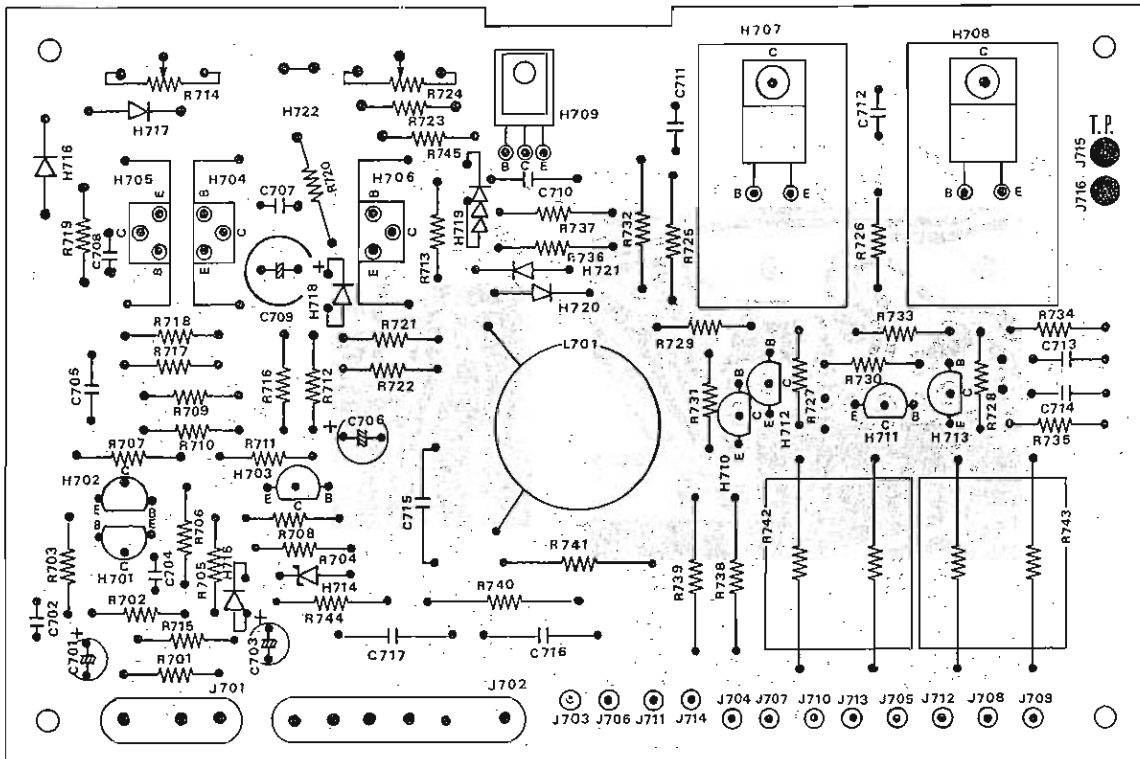
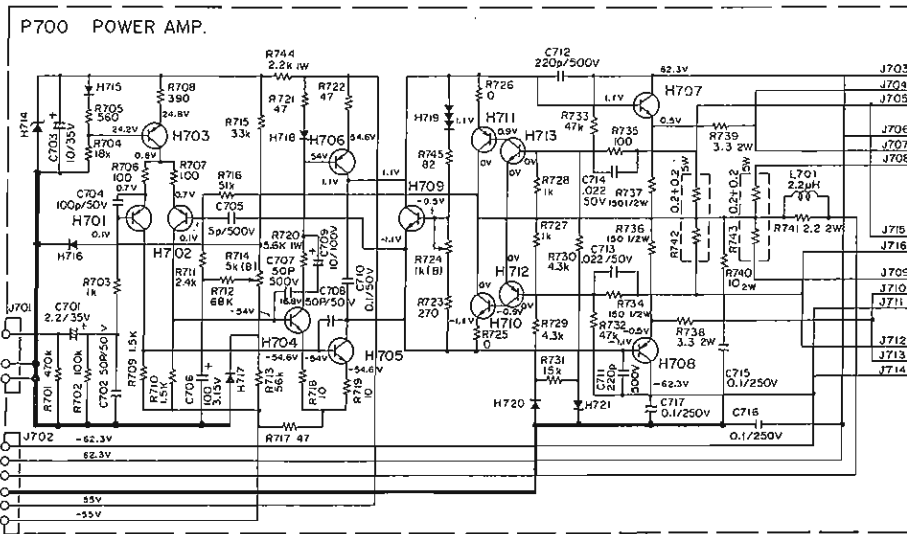
PF00 TONE VR. ASSY



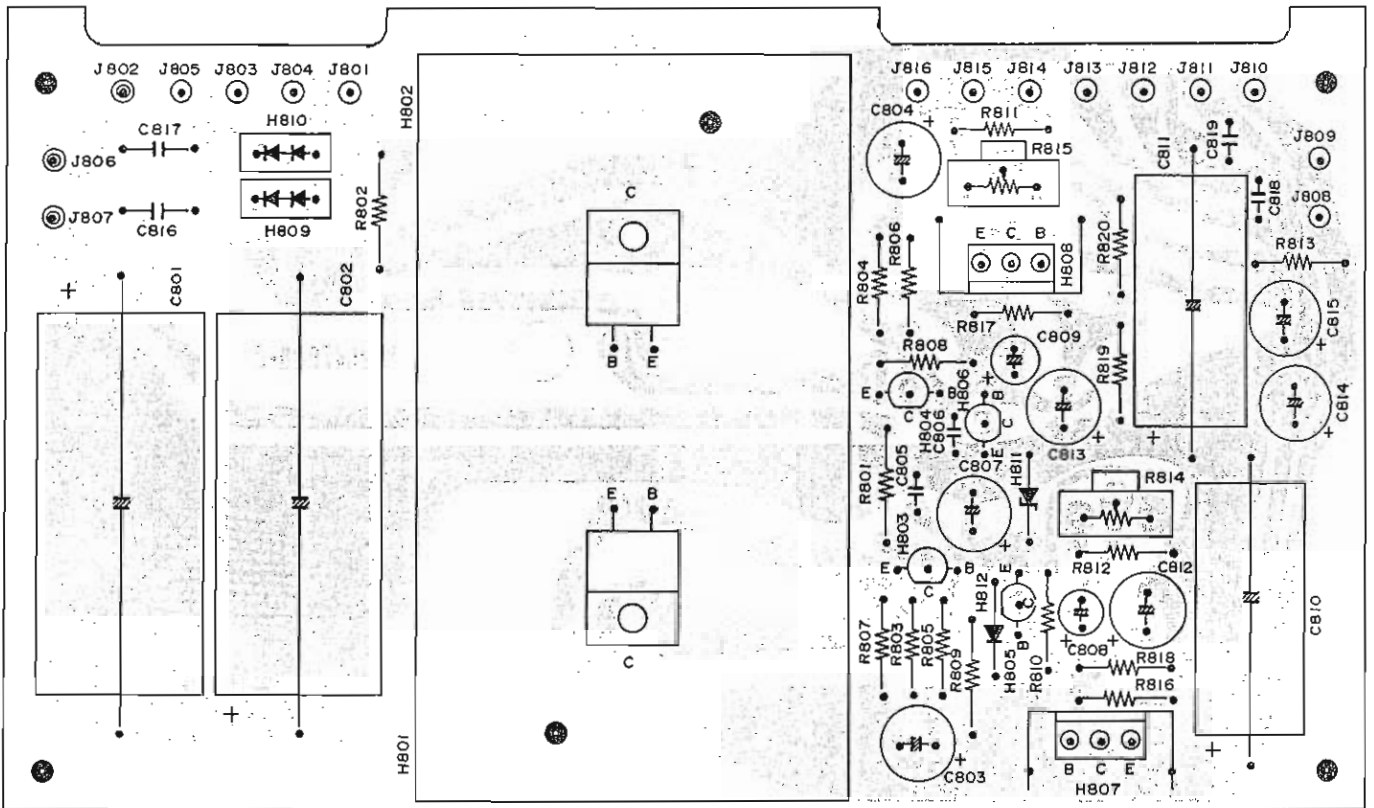
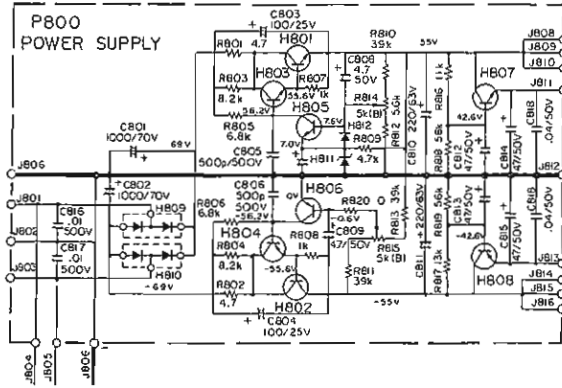
6.6 Filter Amp (PH00)



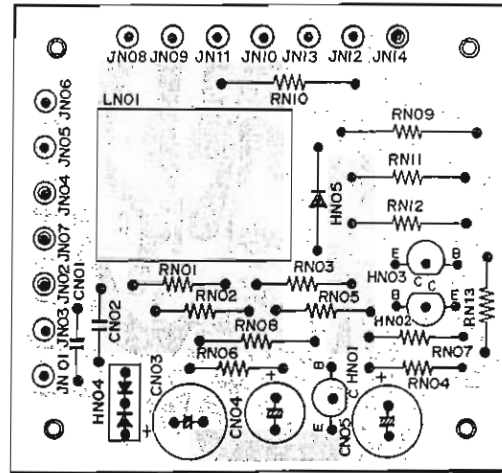
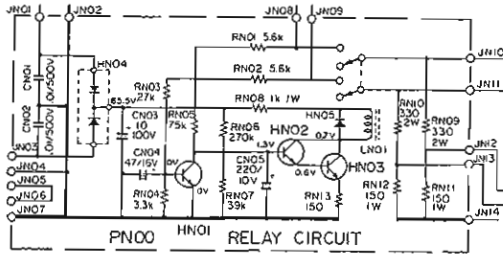
6.7 Power Amp (P700)



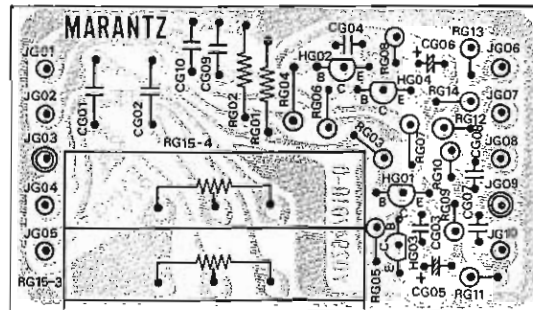
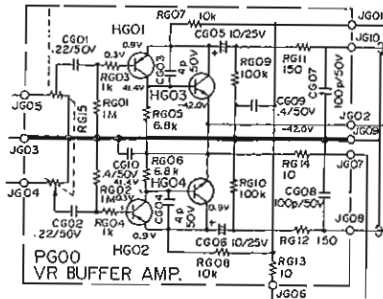
6.8 Powr Supply (P800)



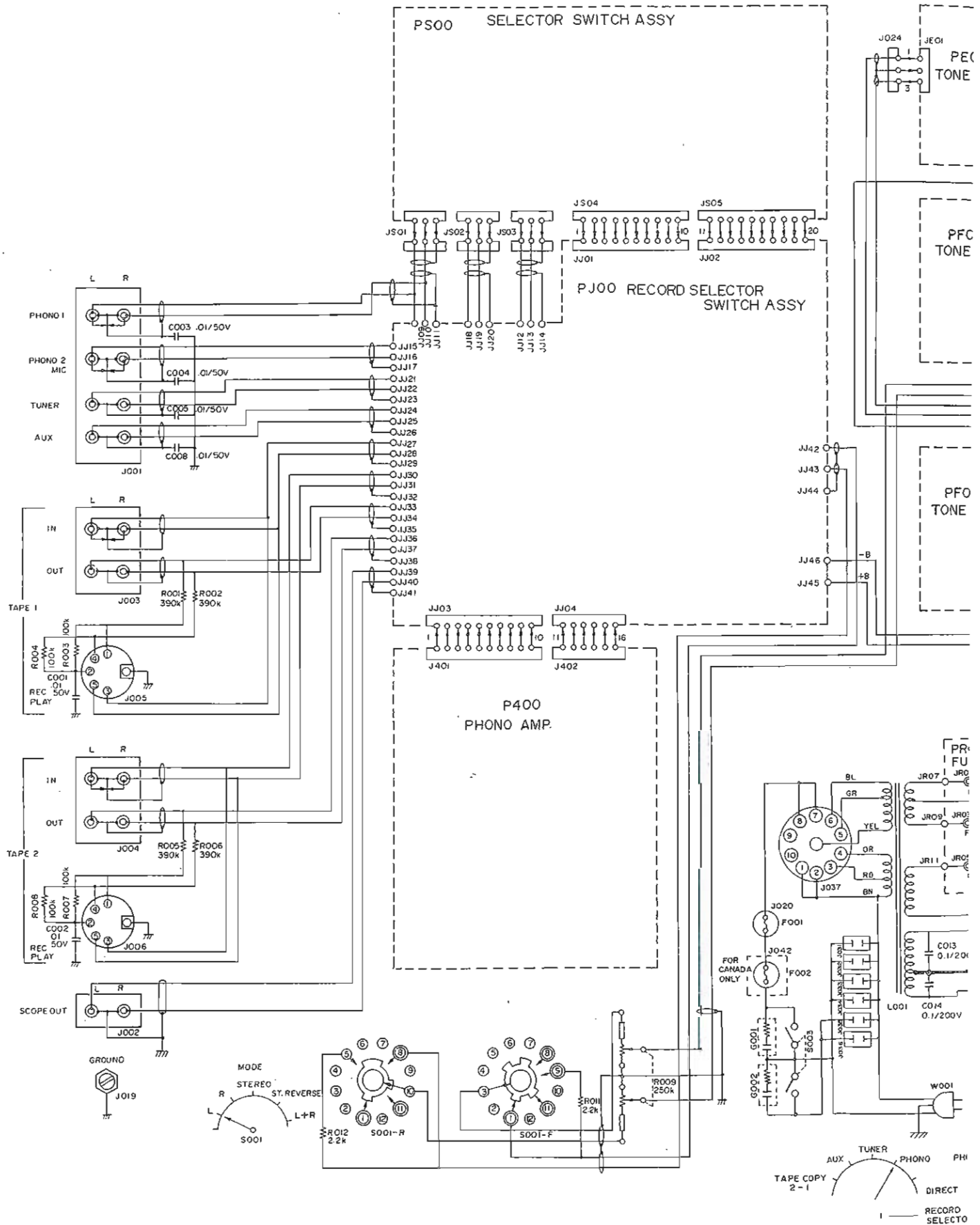
6.9 Relay (PN00)

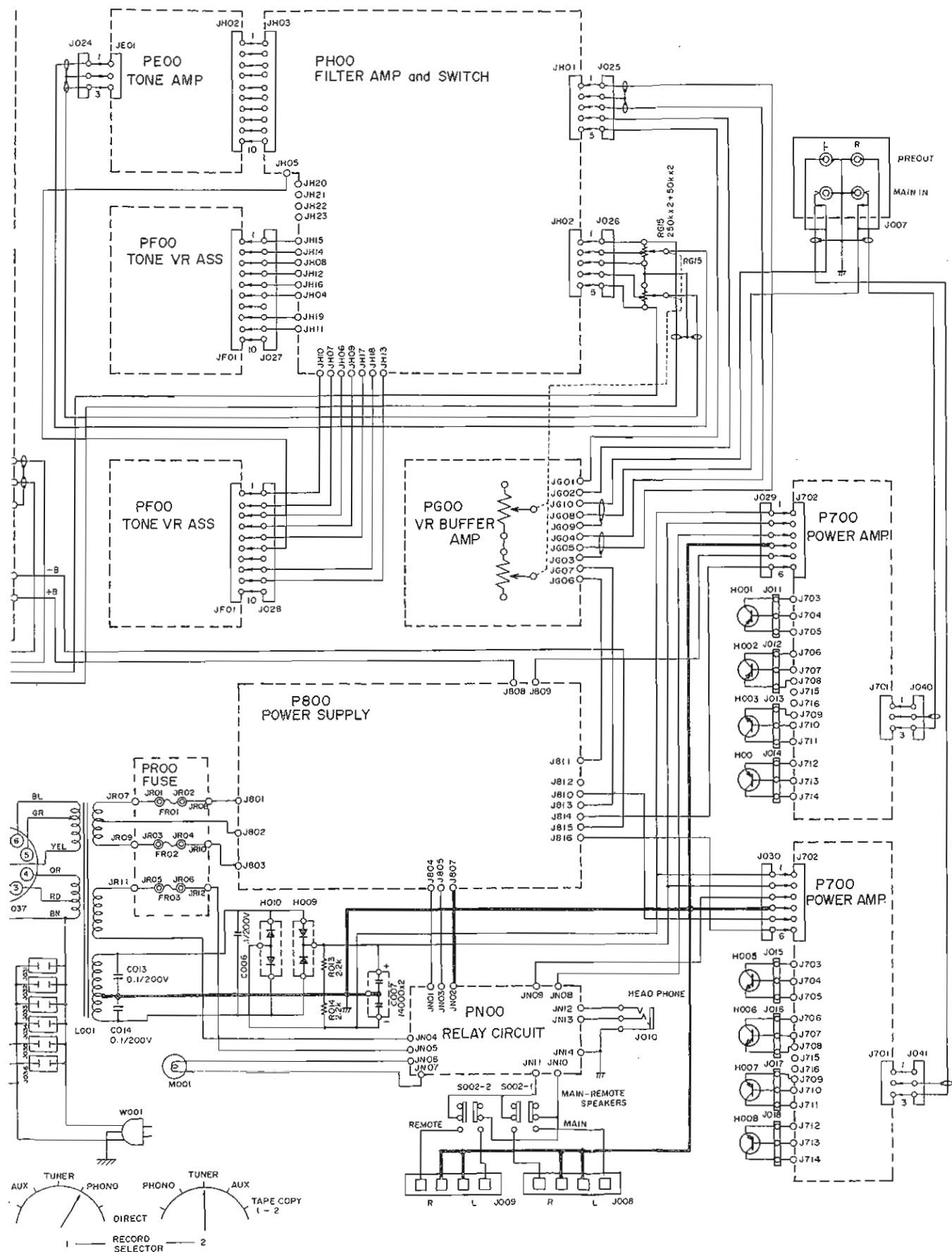


6.10 Buffer Amp (PG00)



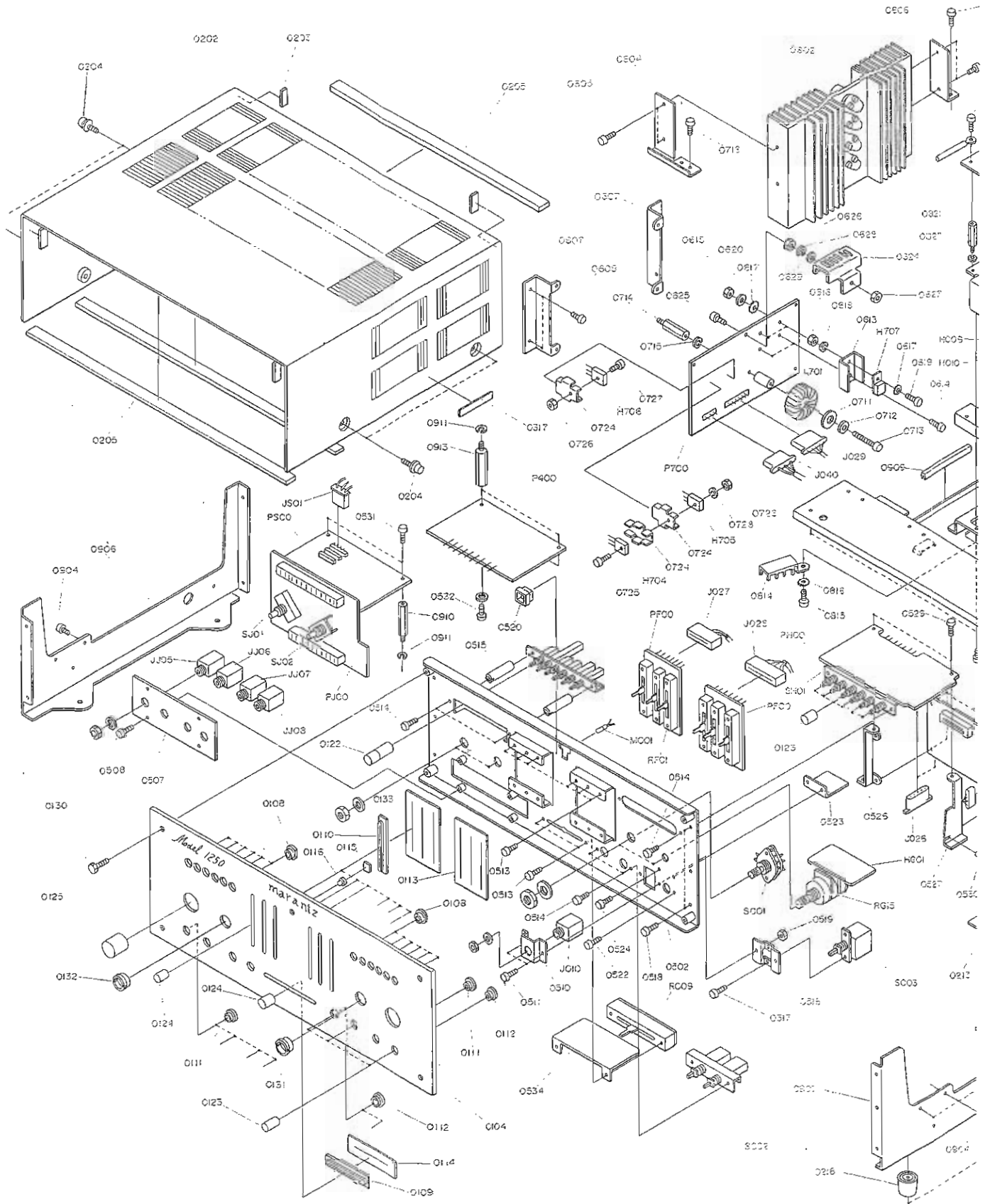
7. INTER CONNECTION DIAGRAM

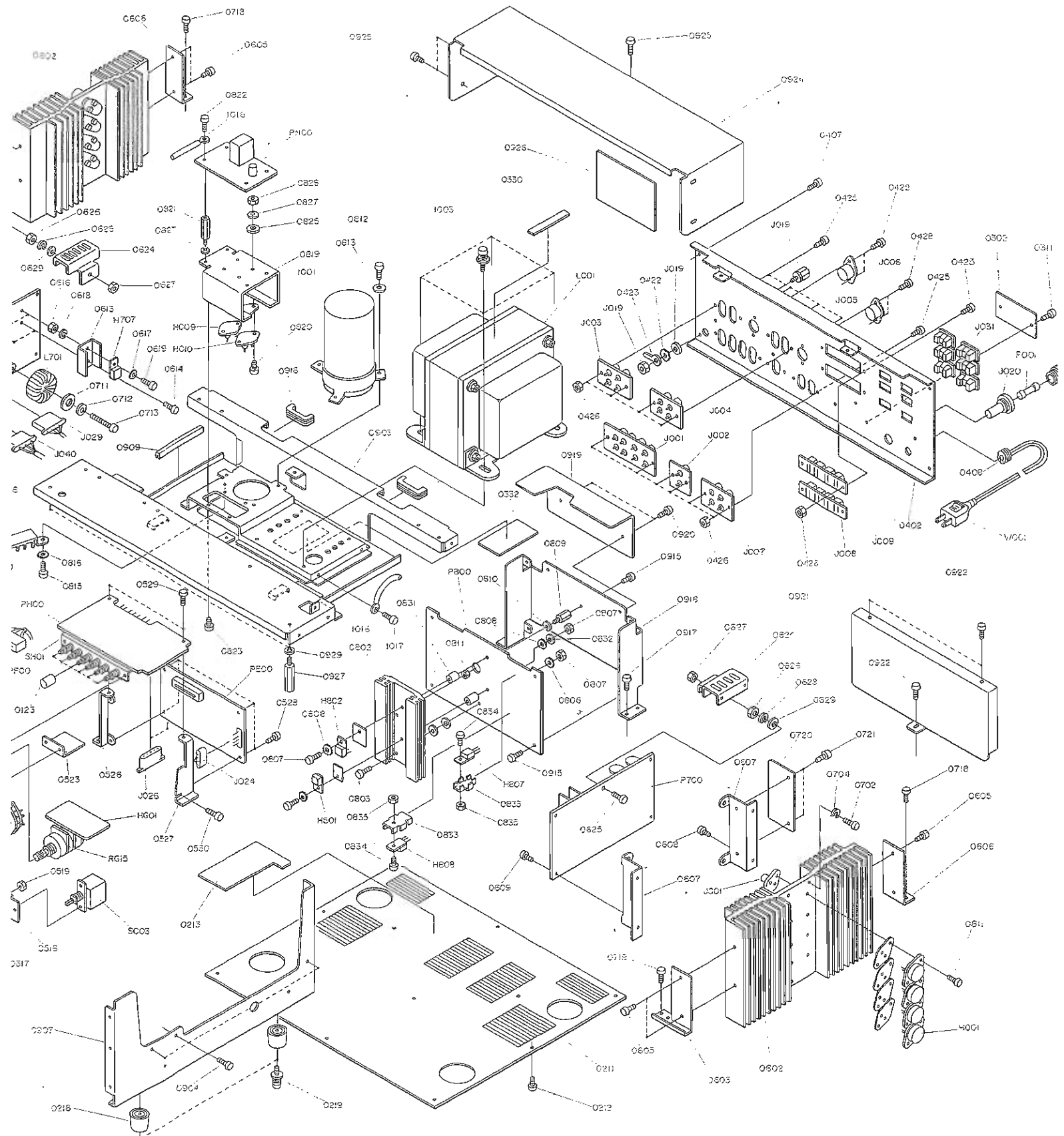




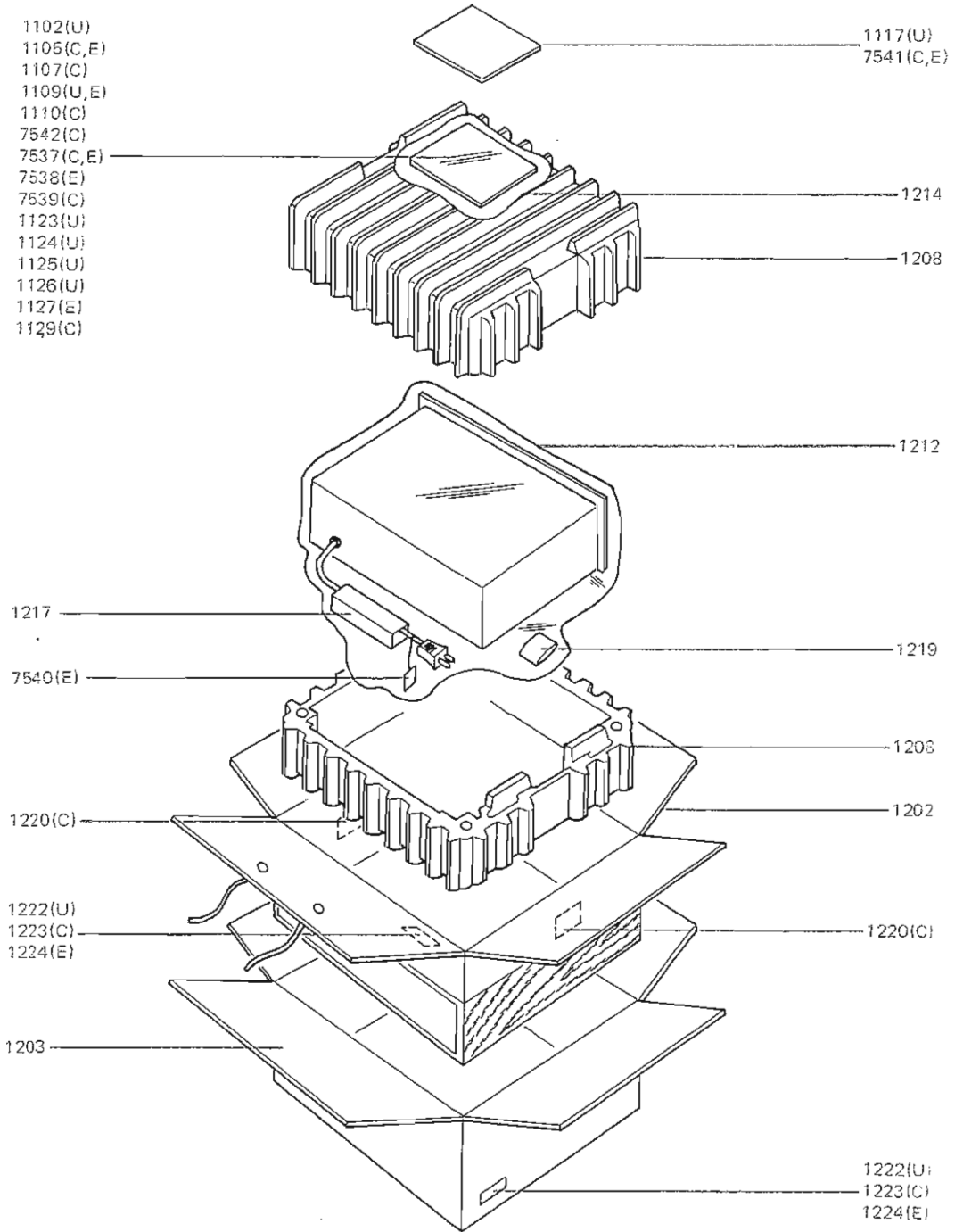
8. EXPLODED VIEWS

8.1 Mechanical Exploded View





8.2 Packing Material Exploded View



U: For U.S.A.
 C: For Canada
 E: For Europe

9. PARTS LIST

REF. DESIG.	Q'TY			PART NO.	DESCRIPTION
	U	C	E		
A	1	1	1	294706340	Front Panel Assembly
0102	1	1	1	294705301	Cover
0104	1	1	1	294706301	Escutcheon
0108	12	12	12	294725901	Bushing
0109	1	1	1	292625902	Bushing
0110	6	6	6	292625903	Bushing
0111	5	5	5	273125901	Bushing
0112	3	3	3	281825905	Bushing
0113	2	2	2	292630301	Mask
0114	1	1	1	292630302	Mask
0116	1	1	1	292627801	Jewel
B	1	1	1	293325740	Lid Assembly, Upper
0202	1	1	1	293325701	Lid
0203	6	6	6	257711807	Spacer
0205	4	4	4	293305601	Buffer
C	1	1	1	294725740	Lid Assembly, Lower
0211	1	1	1	294725701	Lid
0213	1	1	1	294712003	Insulator
D			1	294716040	Rear Panel Assembly
0403			1	294716022	Bracket
0411			1	282125901	Bushing
0412			2	55060305S	T.R. Rivet
0115	1	1	1	293005302	Cover
0122	6	6	6	294715402	Knob
0123	9	9	9	294715403	Knob
0124	7	7	7	294715404	Knob
0125	4	4	4	294715401	Knob
0130	4	4	4	52017039J	Bolt
0131	1	1	1	294705501	Collar
0132	1	1	1	294705502	Collar
0204	4	4	4	51480406S	B.H.M. Screw F
0218	4	4	4	275905701	Leg
0219	4	4	4	51490410S	P.H.M. Screw S
0302	1			294726501	Indicator
0303		1		294726502	Indicator
0304			1	294726503	Indicator
0311	2	2	2	51100305S	B.H.M.Screw, B3x5
0312	1	1	1	257886101	Label, UL Caution
0317	1	1	1	293286101	Label, Caution
0319			1	951091101	Label, LL NO.
0320			1	282186102	Label, Fuse Caution
0321	1			951091102	Label, UL Factory No.
0324	1			951110101	Label, UL
0330	1	1	1	288686101	Label, On Power Transformer
0331		1		951022101	Label, Fuse Caution
0332	1	1	1	294786101	Label, On Chassis
0402	1	1		294716021	Bracket
0407	8	8	8	51100306S	B.H.M.Screw, B3x6
0408	1	1		145525907	Bushing, Power Cord
0413			2	54050300R	T.L.Washer OR
0414			2	51060316A	P.H.M. Screw, P3x16
0415			2	53110303A	Hexagon Nut
0421			2	51100306S	B.H.M. Screw, B3x6
0422	1	1	1	54050400R	T.L. Washer OR
0423	1	1	1	62041760W	Lug
0425	14	14	14	51100308S	B.H.M. Screw, B3x8

REF. DESIG.	Q'TY			PART NO.	DESCRIPTION
	U	C	E		
0426	14	14	14	53110303E	Hexagon Nut
0428	4	4	4	51570306B	P.H. Tapped Screw, P3x6 ST
0429	2	2	2	62030039W	Lug
0430	2	2	2	53110303E	Hexagon Nut
0502	1	1	1	294716050	Bracket K
0507	1	1	1	294712001	Insulator
0508	4	4	4	51100306A	B.H.M. Screw, B3x6
0510	1	1	1	294716005	Bracket
0511	2	2	2	51570306B	P.H. Tapped Screw, P3x6 ST
0513	14	14	14	51100306A	B.H.M. Screw, B3x6
0514	6	6	6	51100306A	B.H.M. Screw, B3x6
0515	2	2	2	293310101	Support
0516	1	1	1	294716006	Bracket
0517	2	2	2	51100305A	B.H.M. Screw, B3x5
0518	6	6	6	51100406A	B.H.M. Screw, B4x6
0519	1	1	1	53110303E	Hexagon Nut
0520	1	1	1	288025901	Bushing, Pilot Lamp
0521	1	1	1	293312002	Insulator
0522	1	1	1	51100304A	B.H.M.Screw, B3x4
0523	1	1	1	294710901	Shield
0524	2	2	2	51100305A	B.H.M.Screw, B3x5
0526	1	1	1	293316002	Bracket
0527	1	1	1	294716004	Bracket
0528	4	4	4	51100306S	B.H.M. Screw, B3x6
0529	2	2	2	51100306S	B.H.M. Screw, B3x6
0530	2	2	2	51570306B	P.H. Tapped Screw, P3x6 ST
0531	2	2	2	51100306S	B.H.M. Screw, B3x6
0532	2	2	2	51100306S	B.H.M. Screw, B3x6
0534	1	1	1	293010901	Shield
0602	2	2	2	294726701	Heatsink
0603	1	1	1	293316004	Bracket
0604	1	1	1	293316005	Bracket
0605	8	8	8	51380306T	P.H. Tapped Screw, P3x6 ST
0606	2	2	2	293316006	Bracket
0607	4	4	4	293316007	Bracket
0608	8	8	8	51380306T	P.H. Tapped Screw, P3x6 ST
0609	8	8	8	51100306S	B.H.M. Screw, B3x6
0610	8	8	8	51100316B	B.H.M. Screw, B3x16
0613	4	4	4	281826703	Heatsink
0614	4	4	4	51100310S	B.H.M. Screw, B3x10
0615	8	8	8	53110303E	Hexagon Nut
0616	8	8	8	53110301E	Hexagon Nut
0617	12	12	12	54050300R	T.L. Washer IR
0618	8	8	8	54040302N	Spring Washer
0619	4	4	4	51100312E	B.H.M. Screw, B3x12
0620	4	4	4	54020301E	Flat Washer P
0624	2	2	2	294726702	Heatsink
0625	2	2	2	51100310B	B.H.M. Screw, B3x10
0626	2	2	2	53110301E	Hexagon Nut
0627	2	2	2	53110303E	Hexagon Nut
0628	2	2	2	54040302N	Spring Washer
0629	2	2	2	54020301E	Flat Washer P
0632	2	2	2	51100312E	B.H.M. Screw
0633	4	4	4	54010300E	Flat Washer
0702	4	4	4	51100310S	B.H.M. Screw, B3x10
0704	4	4	4	54040302N	Spring Washer
0711	2	2	2	59110339H	Washer
0712	2	2	2	257700501	Clamper
0713	2	2	2	51100325B	B.H.M. Screw, B3x25
0714	2	2	2	293310102	Support
0715	2	2	2	54040302N	Spring Washer
0716	2	2	2	291705501	Collar
0718	8	8	8	51570306S	P.H. Tapped Screw, P3x6 ST

REF. DESIG.	Q'TY			PART NO.	DESCRIPTION
	U	C	E		
0720	1	1	1	291710901	Shield
0721	2	2	2	51570305B	P.H.Tapped Screw, P3x5 ST
0724	6	6	6	291726702	Heatsink
0725	2	2	2	51100310S	B.H.M. Screw, B3x10
0726	4	4	4	53110303E	Hexagon Nut
0729	2	2	2	51100308S	B.H.M. Screw, B3x8
0728	2	2	2	54040302N	Spring Washer
0802	1	1	1	294726704	Heatsink
0803	2	2	2	51100312S	B.H.M. Screw, B3x12
0804	2	2	2	59030810P	Flat Washer P
0806	2	2	2	51100316B	B.H.M.Screw, B3x16
0807	2	2	2	53110303E	Hexagon Nut
0808	6	6	6	54050300R	T.L.Washer OR
0809	1	1	1	285610102	Support
0810	1	1	1	54040302N	Spring Washer
0811	2	2	2	53110303E	Hexagon Nut
0812	3	3	3	51570408B	P.H. Tapped Screw, P4x8 ST
0813	3	3	3	54020401S	Flat Washer P
0814	1	1	1	294716002	Bracket
0815	1	1	1	51570406B	P.H. Tapped Screw, P4x6 ST
0816	1	1	1	54050300R	T.L.Washer OR
0817	6	6	6	62051870W	Lug
0818	3	3	3	51100508B	B.H.M. Screw, B5x8
0819	1	1	1	294726703	Heatsink
0820	4	4	4	51100310B	B.H.M. Screw, B3x10
0821	4	4	4	285210102	Support
0822	4	4	4	51100306S	B.H.M. Screw, B3x6
0823	4	4	4	51100306B	B.H.M. Screw, B3x6
0824	3	3	3	54040502N	Spring Washer
0825	4	4	4	54020301E	Flat Washer P
0826	4	4	4	53110303E	Hexagon Nut
0827	4	4	4	54040302N	Spring Washer
0831	2	2	2	289225902	Bushing
0832	2	2	2	54020301E	Flat Washer P
0833	2	2	2	294726705	Heatsink
0834	2	2	2	51100306S	B.H.M. Screw
0835	2	2	2	53110303E	Hexagon Nut
0903	1	1	1	294710501	Chassis
0905	6	6	6	51570306B	P.H. Tapped Screw, P3x6 ST
0906	1	1	1	293310502	Chassis
0907	1	1	1	293310503	Chassis
0909	1	1	1	294725902	Bushing
0910	2	2	2	289610104	Support
0911	2	2	2	54040302N	Spring Washer
0913	2	2	2	289610104	Support
0915	5	5	5	51100306S	B.H.M.Screw, B3x6
0916	1	1	1	294727101	Holder
0917	4	4	4	51570306B	P.H. Tapped Screw, P3x6 ST
0918	2	2	2	288925901	Bushing
0919	2	1	1	294705302	Cover
0920	2	2	2	51100306S	B.H.M.Screw, B3x6
0921	1	1	1	293305301	Cover
0922	3	3	3	51570306S	P.H. Tapped Screw, P3x6 ST
0924	1	1	1	293305302	Cover
0925	5	5	5	51570306S	P.H. Tapped Screw, P3x6 ST
0926	1	1	1	288812001	Insulator
0927	2	2	2	293310106	Support
0929	2	2	2	54040302N	Spring Washer
0932	1	1	1	291012302	Contacto
0933	2	1	1	51570306B	P.H. Tapped Screw, P3x6 ST
0934	1	1	1	54050300R	T.L. Washer
1003	4	4	4	51490612B	B.H.M. Screw, B6x12
1008	1	1	1	294716003	Bracket

REF. DESIG.	Q'TY			PART NO.	DESCRIPTION
	U	C	E		
1010	2	2		51100306S	B.H.M. Screw, B3x6
1016	4	4	4	287100501	Clamper
1017	4	4	4	51570305B	P.H. Tapped Screw, P3x5 ST
1102	1			294785101	Instructions, Set
1105	1	1		294785131	Instructions, Set
1107	1			288685110	Instructions, Leaflet
1109	1	1		294785601	Schematic Diagram
1110	1			294785606	Schematic Diagram
7541	1	1		281885114	Instructions
7542	1			281885404	Guarantee Card
7537	1	1		281885112	Instructions, Important
7538	1			963000018	Guarantee Card
7539	1			965000005	Service Station Card
7540	1	1		956000004	Hang Tag
1114	1	1	1	282885108	Instructions, Accessories
1117	1	1	1	281885104	Instructions, Packing
1123	1			281885402	Guarantee Card
1124	1	1	1	257785401	Guarantee Card
1125	1	1	1	257785102	Instructions, Red Tag
1126	1			257781301	Envelope
1127	1			281881301	Envelope
1129	1			291881301	Envelope
1202	1	1	1	294780101	Packing Case, Inner
1203	1	1	1	294780102	Packing Case, Outer
1208	2	2	2	293380301	Partitioner
1212	1	1	1	901403540	Polyethylene Bag
1214	1	1	1	901302501	Polyethylene Bag, Printed Matter
1217	1	1	1	102980401	Sleeve, Power Cord
1219	1	1	1	273182101	Silicagef
1220	2			951090102	Label, On Inner Push Switch
1222	4			952281501	Serial No. Card
1223	4			952301512	Serial No. Card
1224	4			952301511	Serial No. Card
PS00	1	1	1	YD2947002	P.W. Board, Selector Switch
	1	1	1	ZZ2947002	P.W. Board Assembly
SS01	1	1	1	SP0606007	PS00-PUSH SWITCH, PLUGS & RESISTORS Push Switch, Selector
JS01	1	1	1	YP0600030	Plug, 3P
JS02	1	1	1	YP0600030	Plug, 3P
JS03	1	1	1	YP0600030	Plug, 3P
JS04	1	1	1	YP0600040	Plug, 10P
JS05	1	1	1	YP0600040	Plug, 10P
RS01	11	11	11	RC0000012	Resistor, 0Ω, 1/2W
PJ00	1	1	1	YD2947003	ROTARY SWITCH CIRCUIT BOARD-PJ00 P.W. Board, Rotary Switch
	1	1	1	ZZ2947003	P.W. Board Assembly
RJ01	1	1	1	RC0000012	PJ00-RESISTORS & SWITCHES Resistor, 0Ω, 1/2W
RJ02	1	1	1	RC0000012	Resistor, 0Ω, 1/2W

REF. DESIG.	Q'TY			PART NO.	DESCRIPTION
	U	C	E		
RJ03	1	1	1	RC0000012	Resistor, 0Ω, ¼W
RJ04	1	1	1	RC0000012	Resistor, 0Ω, ¼W
RJ05	1	1	1	RC0000012	Resistor, 0Ω, ¼W
RJ06	1	1	1	RC0000012	Resistor, 0Ω, ¼W
RJ07	1	1	1	RC0000012	Resistor, 0Ω, ¼W
RJ08	1	1	1	RC0000012	Resistor, 0Ω, ¼W
RJ09	1	1	1	RC0000012	Resistor, 0Ω, ¼W
RJ10	1	1	1	RC0000012	Resistor, 0Ω, ¼W
RJ12	1	1	1	RC0000012	Resistor, 0Ω, ¼W
RJ13	1	1	1	RT0512314	Resistor, 12KΩ ±5%, ¼W
RJ14	1	1	1	RT0512314	Resistor, 12KΩ ±5%, ¼W
SJ01	1	1	1	SR0405009	Rotary Switch, Record Mode 1
PJ00-SOCKETS, JACKS & PLUGS					
JJ01	1	1	1	YJ0600040	Socket, 10P
JJ02	1	1	1	YJ0600040	Socket, 10P
JJ03	1	1	1	YJ0600040	Socket, 10P
JJ04	1	1	1	YJ0600036	Socket, 6P
JJ05	1	1	1	YJ0100085	Jack, Mic In (L)
JJ06	1	1	1	YJ0100085	Jack, Mic In (R)
JJ07	1	1	1	YJ0100101	Jack, Dubbing In
JJ08	1	1	1	YJ0100101	Jack, Dubbing Out
JJ09					
JJ44	35	35	35	YP1000113	Plug
PHONO & MIC AMP CIRCUIT BOARD-P400					
P400	1	1	1	YD2947001	P.W. Board, Phono & Mic Amp
	1	1	1	ZZ2947001	P.W. Board Assembly
P400-RESISTORS					
R401	1	1	1	RN0551314	51KΩ ±5%, ¼W
R402	1	1	1	RN0551314	51KΩ ±5%, ¼W
R403	1	1	1	RN0510514	1MΩ ±5%, ¼W
R404	1	1	1	RN0510514	1MΩ ±5%, ¼W
R405	1	1	1	RT0522214	2.2KΩ ±5%, ¼W
R406	1	1	1	RT0522214	2.2KΩ ±5%, ¼W
R407	1	1	1	RN0527314	27KΩ ±5%, ¼W
R408	1	1	1	RN0527314	27KΩ ±5%, ¼W
R409	1	1	1	RN0562414	620KΩ ±5%, ¼W
R410	1	1	1	RN0562414	620KΩ ±5%, ¼W
R411	1	1	1	RT0575314	75KΩ ±5%, ¼W
R412	1	1	1	RT0575314	75KΩ ±5%, ¼W
R417	1	1	1	GM0186414	866KΩ ±1%, ¼W
R418	1	1	1	GM0186414	866KΩ ±1%, ¼W
R419	1	1	1	RT0282114	820Ω ±2%, ¼W
R420	1	1	1	RT0282114	820Ω ±2%, ¼W
R421	1	1	1	RT0533214	3.3KΩ ±5%, ¼W
R422	1	1	1	RT0533214	3.3KΩ ±5%, ¼W
R423	1	1	1	RT0268314	68KΩ ±2%, ¼W
R424	1	1	1	RT0268314	68KΩ ±2%, ¼W
R425	1	1	1	RT0510014	10Ω ±5%, ¼W
R426	1	1	1	RT0510014	10Ω ±5%, ¼W
R427	1	1	1	RT0282314	82KΩ ±2%, ¼W
R428	1	1	1	RT0282314	82KΩ ±2%, ¼W
R429	1	1	1	RT0515214	1.5KΩ ±5%, ¼W
R430	1	1	1	RT0515214	1.5KΩ ±5%, ¼W
R431	1	1	1	RT0522214	2.2KΩ ±5%, ¼W
R432	1	1	1	RT0522214	2.2KΩ ±5%, ¼W
R433	1	1	1	GF0568212	6.8KΩ ±5%, ¼W
R434	1	1	1	GF0568212	6.8KΩ ±5%, ¼W

REF. DESIG.	Q'TY			PART NO.	DESCRIPTION
	U	C	E		
R435	1	1	1	RT0527414	270KΩ ±5%, ¼W
R436	1	1	1	RT0527414	270KΩ ±5%, ¼W
R437	1	1	1	RT0510014	10Ω ±5%, ¼W
R438	1	1	1	RT0510014	10Ω ±5%, ¼W
R439	1	1	1	RT0510014	10Ω ±5%, ¼W
R440	1	1	1	RT0510014	10Ω ±5%, ¼W
R441	1	1	1	RT0510014	10Ω ±5%, ¼W
R442	1	1	1	RT0510014	10Ω ±5%, ¼W
R445	1	1	1	RT0515114	150Ω ±5%, ¼W
R446	1	1	1	RT0515114	150Ω ±5%, ¼W
P400-CAPACITORS					
C401	1	1	1	EV4750356	Electrolytic, 4.7μF, 35V
C402	1	1	1	EV4750356	Electrolytic, 4.7μF, 35V
C403	1	1	1	DD1539001	Ceramic, 39PF ±5%, 50V
C404	1	1	1	DD1539001	Ceramic, 39PF ±5%, 50V
C405	1	1	1	DD1533101	Ceramic, 330PF ±5%, 50V
C406	1	1	1	DD1533101	Ceramic, 330PF ±5%, 50V
C407	1	1	1	DD1533101	Ceramic, 330PF ±5%, 50V
C408	1	1	1	DD1533101	Ceramic, 330PF ±5%, 50V
C409	1	1	1	DD1510102	Ceramic, 100PF ±5%, 50V
C410	1	1	1	DD1510102	Ceramic, 100PF ±5%, 50V
C411	1	1	1	EV3360106	Electrolytic, 33μF, 10V
C412	1	1	1	EV3360106	Electrolytic, 33μF, 10V
C413	1	1	1	DF1411201	Film, 1100PF ±2%, 100V
C414	1	1	1	DF1411201	Film, 1100PF ±2%, 100V
C415	1	1	1	DF1436201	Film, 3600PF ±2%, 100V
C416	1	1	1	DF1436201	Film, 3600PF ±2%, 100V
C417	1	1	1	DD1530001	Ceramic, 30PF ±5%, 50V
C418	1	1	1	DD1530001	Ceramic, 30PF ±5%, 50V
C419	1	1	1	EV1050356	Electrolytic, 1μF, 35V
C420	1	1	1	EV1050356	Electrolytic, 1μF, 35V
C421	1	1	1	DD1104001	Ceramic, 4PF±0.5PF, 50V
C422	1	1	1	DD1104001	Ceramic, 4PF±0.5PF, 50V
C423	1	1	1	EV4750356	Electrolytic, 4.7μF, 35V
C424	1	1	1	EV4750356	Electrolytic, 4.7μF, 35V
C425	1	1	1	EA1060509	Electrolytic, 10μF, 50V
C426	1	1	1	EA1060509	Electrolytic, 10μF, 50V
C427	1	1	1	EA4760639	Electrolytic, 47μF, 63V
C428	1	1	1	EA4760639	Electrolytic, 47μF, 63V
C429	1	1	1	DD1510102	Ceramic, 100PF ±5%, 50V
C430	1	1	1	DD1510102	Ceramic, 100PF ±5%, 50V
C431	1	1	1	DF1568201	Film, 0.0068μF ±5%, 50V
C432	1	1	1	DF1568201	Film, 0.0068μF ±5%, 50V
P400-TRANSISTORS & PLUGS					
H401	1	1	1	HT108721D	Transistor, 2SA872A (D), (E)
H402	1	1	1	HT108721D	Transistor, 2SA872A (D), (E)
H403	1	1	1	HT108721D	Transistor, 2SA872A (D), (E)
H404	1	1	1	HT108721D	Transistor, 2SA872A (D), (E)
H405	1	1	1	HT317752E	Transistor, 2SC1775A (E), (F)
H406	1	1	1	HT317752E	Transistor, 2SC1775A (E), (F)
H407	1	1	1	HT317752E	Transistor, 2SC1775A (E), (F)
H408	1	1	1	HT317752E	Transistor, 2SC1775A (E), (F)
H409	1	1	1	HT109122C	Transistor, 2SA912 (R), (S)
H410	1	1	1	HT109122C	Transistor, 2SA912 (R), (S)
J401	1	1	1	YP0600040	Plug, 10P
J402	1	1	1	YP0600036	Plug, 6P
PRE & TONE AMP CIRCUIT BOARD-PE00					
PE00	1	1	1	YD2947004	P.W. Board, Pre & Tone Amp
	1	1	1	ZZ2947004	P.W. Board Assembly

REF. DESIG.	Q'TY			PART NO.	DESCRIPTION
	U	C	E		
PE00-RESISTORS					
RE01	1	1	1	RT0510514	1MΩ ±5%, ¼W
RE02	1	1	1	RT0510514	1MΩ ±5%, ¼W
RE03	1	1	1	RT0510214	1KΩ ±5%, ¼W
RE04	1	1	1	RT0510214	1KΩ ±5%, ¼W
RE05	1	1	1	RT0522314	22KΩ ±5%, ¼W
RE06	1	1	1	RT0522314	22KΩ ±5%, ¼W
RE07	1	1	1	RT0582314	82KΩ ±5%, ¼W
RE08	1	1	1	RT0582314	82KΩ ±5%, ¼W
RE09	1	1	1	RT0216314	16KΩ ±2%, ¼W
RE10	1	1	1	RT0216314	16KΩ ±2%, ¼W
RE11	1	1	1	RT0212414	120KΩ ±2%, ¼W
RE12	1	1	1	RT0212414	120KΩ ±2%, ¼W
RE13	1	1	1	RT0547014	47Ω ±5%, ¼W
RE14	1	1	1	RT0547014	47Ω ±5%, ¼W
RE15	1	1	1	RT0591114	910Ω ±5%, ¼W
RE16	1	1	1	RT0591114	910Ω ±5%, ¼W
RE17	1	1	1	RT0547114	470Ω ±5%, ¼W
RE18	1	1	1	RT0547114	470Ω ±5%, ¼W
RE19	1	1	1	RT0562314	62KΩ ±5%, ¼W
RE20	1	1	1	RT0562314	62KΩ ±5%, ¼W
RE21	1	1	1	RC0000012	0Ω, ¼W
RE22	1	1	1	RC0000012	0Ω, ¼W
RE23	1	1	1	RT0510414	100KΩ ±5%, ¼W
RE24	1	1	1	RT0510414	100KΩ ±5%, ¼W
RE25	1	1	1	RT0547114	470Ω ±5%, ¼W
RE26	1	1	1	RT0547114	470Ω ±5%, ¼W
RE27	1	1	1	RT0568314	68KΩ ±5%, ¼W
RE28	1	1	1	RT0568314	68KΩ ±5%, ¼W
RE29	1	1	1	RT0556214	5.6KΩ ±5%, ¼W
RE30	1	1	1	RT0556214	5.6KΩ ±5%, ¼W
RE31	1	1	1	RT0539314	39KΩ ±5%, ¼W
RE32	1	1	1	RT0539314	39KΩ ±5%, ¼W
RE33	1	1	1	RT0562314	62KΩ ±5%, ¼W
RE34	1	1	1	RT0562314	62KΩ ±5%, ¼W
RE35	1	1	1	RT0591114	910Ω ±5%, ¼W
RE36	1	1	1	RT0591114	910Ω ±5%, ¼W
RE37	1	1	1	RT0510514	1MΩ ±5%, ¼W
RE38	1	1	1	RT0510514	1MΩ ±5%, ¼W
RE39	1	1	1	RT0547014	47Ω ±5%, ¼W
RE40	1	1	1	RT0547014	47Ω ±5%, ¼W
RE41	1	1	1	RT0533014	33Ω ±5%, ¼W
RE42	1	1	1	RT0533014	33Ω ±5%, ¼W
RE43	1	1	1	RT0522414	220KΩ ±5%, ¼W
RE44	1	1	1	RT0522414	220KΩ ±5%, ¼W
RE45	1	1	1	RT0510014	10Ω ±5%, ¼W
RE46	1	1	1	RT0510014	10Ω ±5%, ¼W
RE47	1	1	1	RC0000012	0Ω, ¼W
RE48	1	1	1	RC0000012	0Ω, ¼W
PE00-CAPACITORS					
CE01	1	1	1	EV2250356	Electrolytic, 2.2μF, 35V
CE02	1	1	1	EV2250356	Electrolytic, 2.2μF, 35V
CE07	1	1	1	EV3360106	Electrolytic, 33μF, 10V
CE08	1	1	1	EV3360106	Electrolytic, 33μF, 10V
CE09	1	1	1	DD1105002	Ceramic, 5PF ±0.5PF, 50V
CE10	1	1	1	DD1105002	Ceramic, 5PF ±0.5PF, 50V
CE11	1	1	1	DD1104001	Ceramic, 4PF ±0.5PF, 50V
CE12	1	1	1	DD1104001	Ceramic, 4PF ±0.5PF, 50V
CE13	1	1	1	EV4750356	Electrolytic, 4.7μF, 35V
CE14	1	1	1	EV4750356	Electrolytic, 4.7μF, 35V
CE15	1	1	1	EV2250356	Electrolytic, 2.2μF, 35V
CE16	1	1	1	EV2250356	Electrolytic, 2.2μF, 35V
CE21	1	1	1	EV3360106	Electrolytic, 33μF, 10V

REF. DESIG.	Q'TY			PART NO.	DESIGNATION
	U	C	E		
CE22	1	1	1	EV3360106	Electrolytic, 33μF, 10V
CE23	1	1	1	DD1104001	Ceramic, 4PF ±0.5PF, 50V
CE24	1	1	1	DD1104001	Ceramic, 4PF ±0.5PF, 50V
CE25	1	1	1	DD1105001	Ceramic, 5PF ±0.5PF, 50V
CE26	1	1	1	DD1105001	Ceramic, 5PF ±0.5PF, 50V
CE27	1	1	1	EV4750356	Electrolytic, 4.7μF, 35V
CE28	1	1	1	EV4750356	Electrolytic, 4.7μF, 35V
CE29	1	1	1	DK1840301	Ceramic, 0.04μF+80%,-20%
CE30	1	1	1	DK1840301	Ceramic, 0.04μF+80%,-20%
CE31	1	1	1	EV1070036	Electrolytic, 100μF, 3.15V
CE32	1	1	1	EV1070036	Electrolytic, 100μF, 3.15V
PE00-TRANSISTORS & PLUGS					
HE01	1	1	1	HT108411A	Transistor, 2SA841 GR, BL
HE02	1	1	1	HT108411A	Transistor, 2SA841 GR, BL
HE03	1	1	1	HT108411A	Transistor, 2SA841 GR, BL
HE04	1	1	1	HT108411A	Transistor, 2SA841 GR, BL
HE05	1	1	1	HT109122C	Transistor, 2SA912R,S
HE06	1	1	1	HT109122C	Transistor, 2SA912R,S
HE07	1	1	1	HT318852C	Transistor, 2SC1885,R,S
HE08	1	1	1	HT318852C	Transistor, 2SC1885,R,S
HE09	1	1	1	HT108411A	Transistor, 2SA841 GR,BL
HE10	1	1	1	HT108411A	Transistor, 2SA841 GR,BL
HE11	1	1	1	HT108411A	Transistor, 2SA841 GR,BL
HE12	1	1	1	HT108411A	Transistor, 2SA841 GR, BL
HE13	1	1	1	HT109122C	Transistor, 2SA912R,S
HE14	1	1	1	HT109122C	Transistor, 2SA912R,S
HE15	1	1	1	HT318852C	Transistor, 2SC1885,R,S
HE16	1	1	1	HT318852C	Transistor, 2SC1885R,S
JE01	1	1	1	YP0600030	Plug, 3P
JE02	1	1	1	YJ0600081	Plug, 10P
TONE & VOLUME CIRCUIT BOARD - PF00					
PF00	2	2	2	YD2947007	P.W. Board, Tone & Volume
				ZZ2947007	P.W. Board Assembly
PF00-RESISTORS					
RF01	2	2	2	RX0104003	Variable, 100KΩ(B)
RF02	2	2	2	RX0104003	Variable, 100KΩ(B)
RF03	2	2	2	RX0104003	Variable, 100KΩ(B)
RF04	2	2	2	GD0518314	18KΩ ±5%, ¼W
RF05	2	2	2	GD0518314	18KΩ ±5%, ¼W
RF06	2	2	2	GD0527314	27KΩ ±5%, ¼W
RF07	2	2	2	GD0527314	27KΩ ±5%, ¼W
RF08	2	2	2	GD0556214	5.6KΩ ±5%, ¼W
RF09	2	2	2	GD0556214	5.6KΩ ±5%, ¼W
RF10	2	2	2	RC0000012	0Ω, ¼W
RF11	2	2	2	GD0539214	3.9KΩ ±5%, ¼W
RF12	2	2	2	GD0556214	5.6KΩ ±5%, ¼W
RF13	2	2	2	GD0556214	5.6KΩ ±5%, ¼W
RF14	2	2	2	GD0568414	680KΩ ±5%, ¼W
RF15	2	2	2	RC0000012	0Ω, ¼W
PF00-CAPACITORS & SOCKETS					
CF01	2	2	2	DF1515301	Film, 0.015μF ±5%, 50V
CF02	2	2	2	DF1515301	Film, 0.015μF ±5%, 50V
CF03	2	2	2	DF1568201	Film, 0.0068μF ±5%, 50V
CF04	2	2	2	DD1539101	Ceramic, 390PF ±5%, 50V
CF05	2	2	2	DF1582201	Film, 0.0082μF ±5%, 50V
CF06	2	2	2	DF1510301	Film, 0.01μF ±5%, 50V
CF07	2	2	2	DF1510301	Film, 0.01μF ±5%, 50V
CF08	2	2	2	DD1520101	Ceramic, 200PF ±5%, 50V

REF. DESIG.	Q'TY			PART NO.	DESCRIPTION
	U	C	E		
JF01	2	2	2	YP0600107	Socket, 9P
PH00	1	1	1	YD2947005	P.W. Board, Filter Amp
	1	1	1	ZZ2947005	P.W. Board Assembly
PH00-RESISTORS					
RH01	1	1	1	GD0551314	51KΩ ±5%, ¼W
RH02	1	1	1	GD0551314	51KΩ ±5%, ¼W
RH03	1	1	1	GD0527214	2.7KΩ ±5%, ¼W
RH04	1	1	1	GD0527214	2.7KΩ ±5%, ¼W
RH05	1	1	1	GD0512314	12KΩ ±5%, ¼W
RH06	1	1	1	GD0512314	12KΩ ±5%, ¼W
RH07	1	1	1	GD0512314	12KΩ ±5%, ¼W
RH08	1	1	1	GD0512314	12KΩ ±5%, ¼W
RH09	1	1	1	GD0515514	1.5MΩ ±5%, ¼W
RH10	1	1	1	GD0515514	1.5MΩ ±5%, ¼W
RH11	1	1	1	GD0510214	1KΩ ±5%, ¼W
RH12	1	1	1	GD0510214	1KΩ ±5%, ¼W
RH13	1	1	1	GD0568214	6.8KΩ ±5%, ¼W
RH14	1	1	1	GD0568214	6.8KΩ ±5%, ¼W
RH15	1	1	1	GD0556214	5.6KΩ ±5%, ¼W
RH16	1	1	1	GD0556214	5.6KΩ ±5%, ¼W
RH17	1	1	1	GD0510414	100KΩ ±5%, ¼W
RH18	1	1	1	GD0510414	100KΩ ±5%, ¼W
RH19	1	1	1	GD0515114	150Ω ±5%, ¼W
RH20	1	1	1	GD0515114	150Ω ±5%, ¼W
RH21	1	1	1	GJ0533101	330Ω ±5%, 1W
RH22	1	1	1	GJ0533101	330Ω ±5%, 1W
RH23	1	1	1	GD0524314	24KΩ ±5%, ¼W
RH24	1	1	1	GD0524314	24KΩ ±5%, ¼W
RH25	1	1	1	GD0582314	82KΩ ±5%, ¼W
RH26	1	1	1	GD0582314	82KΩ ±5%, ¼W
RH27	1	1	1	GD0522314	22KΩ ±5%, ¼W
RH28	1	1	1	GD0522314	22KΩ ±5%, ¼W
RH29	1	1	1	RC0000012	0Ω, ½W
RH30	1	1	1	GD0512414	120KΩ ±5%, ¼W
RH31	1	1	1	GD0512414	120KΩ ±5%, ¼W
PH00-CAPACITORS					
CH01	1	1	1	DF1568301	Film, 0.068μF ±5%, 50V
CH02	1	1	1	DF1568301	Film, 0.068μF ±5%, 50V
CH03	1	1	1	DF1568301	Film, 0.068μF ±5%, 50V
CH04	1	1	1	DF1568301	Film, 0.068μF ±5%, 50V
CH05	1	1	1	DF1510201	Film, 0.001μF ±5%, 50V
CH06	1	1	1	DF1510201	Film, 0.001μF ±5%, 50V
CH07	1	1	1	DF1510201	Film, 0.001μF ±5%, 50V
CH08	1	1	1	DF1510201	Film, 0.001μF ±5%, 50V
CH09	1	1	1	DF1722401	Film, 0.22μF ±20%, 50V
CH10	1	1	1	DF1722401	Film, 0.22μF ±20%, 50V
CH11	1	1	1	DD1104001	Ceramic, 4PF ±0.5PF, 50V
CH12	1	1	1	DD1104001	Ceramic, 4PF ±0.5PF, 50V
CH13	1	1	1	EV1060256	Electrolytic, 10μF, 25V
CH14	1	1	1	EV1060256	Electrolytic, 10μF, 25V
CH15	1	1	1	EA1070359	Electrolytic, 100μF, 35V
CH16	1	1	1	EA1070359	Electrolytic, 100μF, 35V
CH17	1	1	1	DD1510102	Ceramic, 100PF ±5%, 50V
CH18	1	1	1	DD1510102	Ceramic, 100PF ±5%, 50V
CH19	1	1	1	DF1568301	Film, 0.068μF ±5%, 50V
CH20	1	1	1	DF1568301	Film, 0.068μF ±5%, 50V
CH21	1	1	1	DF1568301	Film, 0.068μF ±5%, 50V

REF. DESIG.	Q'TY			PART NO.	DESCRIPTION
	U	C	E		
CH22	1	1	1	DF1568301	Film, 0.068μF ±5%, 50V
CH23	1	1	1	DF1518201	Film, 0.0018μF ±5%, 50V
CH24	1	1	1	DF1518201	Film, 0.0018μF ±5%, 50V
CH25	1	1	1	DF1510201	Film, 0.001μF ±5%, 50V
CH26	1	1	1	DF1510201	Film, 0.001μF ±5%, 50V
CH27	1	1	1	DD1520101	Ceramic, 200PF ±5%, 50V
CH28	1	1	1	DD1520101	Ceramic, 200PF ±5%, 50V
CH29	1	1	1	DF1515301	Film, 0.015μF ±5%, 50V
CH30	1	1	1	DF1515301	Film, 0.015μF ±5%, 50V
PH00-SWITCH, TRANSISTORS & PLUGS					
SH01	1	1	1	SP0406008	Push Switch
HH01	1	1	1	HT108412A	Transistor, 2SA841 GR, 8L
HH02	1	1	1	HT108412A	Transistor, 2SA841 GR, 8L
HH03	1	1	1	HT318852C	Transistor, 2SC1885 R, S
HH04	1	1	1	HT318852C	Transistor, 2SC1885 R, S
JH01	1	1	1	YP0600031	Plug, 5P
JH02	1	1	1	YP0600031	Plug, 5P
JH03	1	1	1	YP0600040	Plug, 10P
JH04					
JH23	20	20	20	YP1000113	Plug
POWER AMP CIRCUIT BOARD-P700					
P700	2	2	2	YD2947009	P.W. Board, Power Amp
	2	2	2	ZZ2947009	P.W. Board Assembly
P700-RESISTORS					
R701	2	2	2	RT0547414	470KΩ ±5%, ¼W
R702	2	2	2	RT0510414	100KΩ ±5%, ¼W
R703	2	2	2	RT0510214	1KΩ ±5%, ¼W
R704	2	2	2	RT0518314	18KΩ ±5%, ¼W
R705	2	2	2	RT0556114	560Ω ±5%, ¼W
R706	2	2	2	RT0510114	100Ω ±5%, ¼W
R707	2	2	2	RT0510114	100Ω ±5%, ¼W
R708	2	2	2	RT0539114	390Ω ±5%, ¼W
R709	2	2	2	RT0515214	1.5KΩ ±5%, ¼W
R710	2	2	2	RT0515214	1.5KΩ ±5%, ¼W
R711	2	2	2	RT0224214	2.4KΩ ±2%, ¼W
R712	2	2	2	RT0568314	68KΩ ±5%, ¼W
R713	2	2	2	RT0556314	56KΩ ±5%, ¼W
R714	2	2	2	RA0502017	Trimming, 5KΩ (B)
R715	2	2	2	RT0533314	33KΩ ±5%, ¼W
R716	2	2	2	RT0251314	51KΩ ±2%, ¼W
R717	2	2	2	GF0547014	47Ω ±5%, ¼W
R718	2	2	2	GF0510014	10Ω ±5%, ¼W
R719	2	2	2	GF0510014	10Ω ±5%, ¼W
R720	2	2	2	GJ0556201	5.6KΩ ±5%, 1W
R721	2	2	2	GF0547014	47Ω ±5%, ¼W
R722	2	2	2	GF0547014	47Ω ±5%, ¼W
R723	2	2	2	RT0527114	270Ω ±5%, ¼W
R724	2	2	2	RA0102020	Trimming, 1KΩ (B)
R725	2	2	2	RC0000012	0Ω, ½W
R726	2	2	2	RC0000012	0Ω, ½W
R727	2	2	2	RT0510214	1KΩ ±5%, ¼W
R728	2	2	2	RT0510214	1KΩ ±5%, ¼W
R729	2	2	2	RT0543214	4.3KΩ ±5%, ¼W
R730	2	2	2	RT0543214	4.3KΩ ±5%, ¼W
R731	2	2	2	RT0515314	15KΩ ±5%, ¼W

REF. DESIG.	Q'TY			PART NO.	DESCRIPTION
	U	C	E		
R732	2	2	2	RT0547314	47KΩ ±5%, ¼W
R733	2	2	2	RT0547314	47KΩ ±5%, ¼W
R734	2	2	2	RT0510114	100Ω ±5%, ¼W
R735	2	2	2	RT0510114	100Ω ±5%, ¼W
R736	2	2	2	GF0515112	150Ω ±5%, ¼W
R737	2	2	2	GF0515112	150Ω ±5%, ¼W
R738	2	2	2	GJ0503302	3.3Ω ±5%, 2W
R739	2	2	2	GJ0503302	3.3Ω ±5%, 2W
R740	2	2	2	GJ0510002	10Ω ±5%, 2W
R741	2	2	2	GJ0502202	2.2Ω ±5%, 2W
R742	2	2	2	BX1020201	0.2+0.2Ω, 5W
R743	2	2	2	BX1020201	0.2+0.2Ω, 5W
R744	2	2	2	GJ0522201	2.2KΩ ±5%, 1W
R745	2	2	2	RT0582014	82Ω ±5%, ¼W
P700-CAPACITORS					
C701	2	2	2	EV2250356	Electrolytic, 2.2μF, 35V
C702	2	2	2	DD1550009	Ceramic, 50PF ±5%, 50V
C703	2	2	2	EA1060359	Electrolytic, 10μF, 35V
C704	2	2	2	DD1510102	Ceramic, 100PF ±5%, 50V
C705	2	2	2	DD1105050	Ceramic, 5PF ±0.5PF, 500V
C706	2	2	2	EV1070036	Electrolytic, 100μF, 3.15V
C707	2	2	2	DD1550050	Ceramic, 50PF ±5%, 500V
C708	2	2	2	DD1550050	Ceramic, 50PF ±5%, 500V
C709	2	2	2	EA1061001	Electrolytic, 10μF, 100V
C710	2	2	2	DF1710405	Film, 0.1μF ±20%, 50V
C711	2	2	2	DK1622151	Ceramic, 220PF ±10%, 500V
C712	2	2	2	DK1622151	Ceramic, 220PF ±10%, 500V
C713	2	2	2	DF1722305	Film, 0.022μF ±20%, 50V
C714	2	2	2	DF1722305	Film, 0.022μF ±20%, 50V
C715	2	2	2	DF1710453	Film, 0.1μF ±20%, 250V
C716	2	2	2	DF1710453	Film, 0.1μF ±20%, 250V
C717	2	2	2	DF1710453	Film, 0.1μF ±20%, 250V
P700-SEMICONDUCTORS					
H701	2	2	2	HT108721D	Transistor, 2SA872A D,F
H702	2	2	2	HT108721D	Transistor, 2SA872A D,F
H703	2	2	2	HT108721D	Transistor, 2SA872A(D)
H704	2	2	2	HT319531S	Transistor, 2SC1953S
H705	2	2	2	HT319531S	Transistor, 2SC1953S
H706	2	2	2	HT109141S	Transistor, 2SA914S
H707	2	2	2	HT316691B	Transistor, 2SC1669 O, Y
H708	2	2	2	HT108391B	Transistor, 2SA839 O, Y
H709	2	2	2	HT304961C	Transistor, 2SC496 Y
H710	2	2	2	HT307351C	Transistor, 2SC735 Y
H711	2	2	2	HT105621C	Transistor, 2SA562 Y
H712	2	2	2	HT105621C	Transistor, 2SA562 Y
H713	2	2	2	HT307351C	Transistor, 2SC735 Y
H714	2	2	2	HD3003909	Diode, WZ-240 (24V)
H715	2	2	2	HD2000321	Diode, 1S2471 (Black)
H716	2	2	2	HD2000321	Diode, 1S2471 (Black)
H717	2	2	2	HD2000321	Diode, 1S2471 (Black)
H718	2	2	2	HD2000321	Diode, 1S2471 (Black)
H719	2	2	2	HV0000408	Varistor, STV-3H (G)
H720	2	2	2	HD2000321	Diode, 1S2471 (Black)
H121	2	2	2	HD2000321	Diode, 1S2471 (Black)
P700-MISCELLANEOUS					
L701	2	2	2	LC2202001	Choke Coil, 2μH
P708	32	32	32	293311802	Spacer
P709	20	20	20	344411805	Spacer
J701	2	2	2	YP0600030	Plug, 3P
J702	2	2	2	YP0600054	Plug, 6P

REF. DESIG.	Q'TY			PART NO.	DESCRIPTION
	U	C	E		
J703	2	2	2	YP1000113	Plug
J704	2	2	2	YP1000113	Plug
J705	2	2	2	YP1000113	Plug
J706	2	2	2	YP1000113	Plug
J707	2	2	2	YP1000113	Plug
J708	2	2	2	YP1000113	Plug
J709	2	2	2	YP1000113	Plug
J710	2	2	2	YP1000113	Plug
J711	2	2	2	YP1000113	Plug
J712	2	2	2	YP1000113	Plug
J713	2	2	2	YP1000113	Plug
J714	2	2	2	YP1000113	Plug
J715	2	2	2	YP1000109	Plug
J716	2	2	2	YP1000109	Plug
POWER SUPPLY CIRCUIT BOARD-P800					
P800	1	1	1	YD2947006	P.W. Board, Power Supply
	1	1	1	ZZ2947006	P.W. Board Assembly
P800-RESISTORS & SPACERS					
R801	1	1	1	GJ0504701	Resistor, 4.7Ω ±5%, 1W
R802	1	1	1	GJ0504701	Resistor, 4.7Ω ±5%, 1W
R803	1	1	1	RT0582214	Resistor, 8.2KΩ ±5%, ¼W
R804	1	1	1	RT0582214	Resistor, 8.2KΩ ±5%, ¼W
R805	1	1	1	RT0568214	Resistor, 6.8KΩ ±5%, ¼W
R806	1	1	1	RT0568214	Resistor, 6.8KΩ ±5%, ¼W
R807	1	1	1	RT0510214	Resistor, 1KΩ ±5%, ¼W
R808	1	1	1	RT0510214	Resistor, 1KΩ ±5%, ¼W
R809	1	1	1	GF0547212	Resistor, 4.7KΩ ±5%, ¼W
R810	1	1	1	RT0539314	Resistor, 39KΩ ±5%, ¼W
R811	1	1	1	RT0539314	Resistor, 39KΩ ±5%, ¼W
R812	1	1	1	RT0556214	Resistor, 5.6KΩ ±5%, ¼W
R813	1	1	1	RT0539314	Resistor, 39KΩ ±5%, ¼W
R814	1	1	1	RA0502017	Resistor, Timming, 5KΩ (B)
R815	1	1	1	RA0502017	Resistor, Trimming, 5KΩ (B)
R816	1	1	1	RT0511314	Resistor, 11KΩ ±5%, ¼W
R817	1	1	1	RT0513314	Resistor, 13KΩ ±5%, ¼W
R818	1	1	1	RT0556314	Resistor, 56KΩ ±5%, ¼W
R819	1	1	1	RT0556314	Resistor, 56KΩ ±5%, ¼W
R820	1	1	1	RC0000012	Resistor, 0Ω, ¼W
P808	6	6	6	293311802	Spacer
P800-CAPACITORS					
C801	1	1	1	ED1080701	Electrolytic, 1000μF, 70V
C802	1	1	1	ED1080701	Electrolytic, 1000μF, 70V
C803	1	1	1	EA1070259	Electrolytic, 100μF, 25V
C804	1	1	1	EA1070259	Electrolytic, 100μF, 25V
C805	1	1	1	DK1650150	Ceramic, 500PF ±10%, 500V
C806	1	1	1	DK1650150	Ceramic, 500PF ±10%, 500V
C807	1	1	1	EA1070169	Electrolytic, 100μF, 16V
C808	1	1	1	EE4750504	Electrolytic, 4.7μF, 50V
C809	1	1	1	EE4750504	Electrolytic, 4.7μF, 50V
C810	1	1	1	ED2270631	Electrolytic, 220μF, 63V
C811	1	1	1	ED2270631	Electrolytic, 220μF, 63V
C812	1	1	1	EA4760509	Electrolytic, 47μF, 50V
C813	1	1	1	EA4760509	Electrolytic, 47μF, 50V
C814	1	1	1	EA4760509	Electrolytic, 47μF, 50V
C815	1	1	1	EA4760509	Electrolytic, 47μF, 50V
C816	1	1	1	DK1810351	Ceramic, 0.01μF, 500V
C817	1	1	1	DK1810351	Ceramic, 0.01μF, 500V
C818	1	1	1	DK1840301	Ceramic, 0.04μF, 50V
C819	1	1	1	DK1840301	Ceramic, 0.04μF, 50V

REF. DESIG.	Q'TY			PART NO.	DESCRIPTION
	U	C	E		
P800-SEMICONDUCTORS & PLUGS					
H801	1	1	1	HT316252A	Transistor, 2SC1625 Y,O
H802	1	1	1	HT108152A	Transistor, 2SA815 Y,O
H803	1	1	1	HT315091Q	Transistor, 2SC1509Q
H804	1	1	1	HT107771Q	Transistor, 2SA777Q
H805	1	1	1	HT315091Q	Transistor, 2SC1509Q
H806	1	1	1	HT107771Q	Transistor, 2SA777Q
H807	1	1	1	HT403131D	Transistor, 2SD313D, E
H808	1	1	1	HT205071D	Transistor, 2SB507 D, E
H809	1	1	1	HD2001303	Diode, DS133B (200V)
H810	1	1	1	HD2001303	Diode, DS133B (200V)
H811	1	1	1	HD3002309	Diode, WZ-071
H812	1	1	1	HD2000321	Diode, 1S2471 (Black)
J801	1	1	1	YP1000113	Plug
J816	16	16	16	YP1000113	Plug
FUSE CIRCUIT BOARD-PR00					
PR00		1		YD2933009	P.W. Board, Fuse
		1		ZZ2933009	P.W. Board Assembly
PR00-JACKS, PLUGS & FUSES					
JR01		1		YJ080002D	Jack, Fuse Holder
JR02		1		YJ080002D	Jack, Fuse Holder
JR03		1		YJ080002D	Jack, Fuse Holder
JR04		1		YJ080002D	Jack, Fuse Holder
JR05		1		YJ080002D	Jack, Fuse Holder
JR06		1		YJ080002D	Jack, Fuse Holder
JR07		1		YP1000113	Plug
JR08		1		YP1000113	Plug
JR09		1		YP1000113	Plug
JR10		1		YP1000113	Plug
JR11		1		YP1000113	Plug
JR12		1		YP1000113	Plug
FR01		1		FS1015003	Fuse, 1.5A
FR02		1		FS1015003	Fuse, 1.5A
FR03		1		FS1015003	Fuse, 1.5A
RELAY CIRCUIT BOARD-PN00					
PN00	1	1	1	YD2947008	P.W. Board, Relay
	1	1	1	ZZ2947008	P.W. Board Assembly
PN00-RESISTORS & SPACERS					
RN01	1	1	1	GU0556212	Resistor, 5.6K Ω \pm 5%, 1/2W
RN02	1	1	1	GU0556212	Resistor, 5.6K Ω \pm 5%, 1/2W
RN03	1	1	1	RT0527314	Resistor, 27K Ω \pm 5%, 1/4W
RN04	1	1	1	RT0533214	Resistor, 3.3K Ω \pm 5%, 1/4W
RN05	1	1	1	RT0575314	Resistor, 75K Ω \pm 5%, 1/4W
RN06	1	1	1	RT0527414	Resistor, 270K Ω \pm 5%, 1/4W
RN07	1	1	1	RT0539314	Resistor, 39K Ω \pm 5%, 1/4W
RN08	1	1	1	GJ0510201	Resistor, 1K Ω \pm 5%, 1W
RN09	1	1	1	GJ0533102	Resistor, 330 Ω \pm 5%, 2W
RN10	1	1	1	GJ0533102	Resistor, 330 Ω \pm 5%, 2W
RN11	1	1	1	GJ0515101	Resistor, 150 Ω \pm 5%, 1W
RN12	1	1	1	GJ0515101	Resistor, 150 Ω \pm 5%, 1W
RN13	1	1	1	RT0515114	Resistor, 150 Ω \pm 5%, 1/4W
PN08	10	10	10	293311802	Spacer

REF. DESIG.	Q'TY			PART NO.	DESCRIPTION
	U	C	E		
PN00-CAPACITORS & RELAY					
CN01	1	1	1	DK1810351	Ceramic, 0.01 μ F, 500V
CN02	1	1	1	DK1810351	Ceramic, 0.01 μ F, 500V
CN03	1	1	1	EA1061001	Electrolytic, 10 μ F, 100V
CN04	1	1	1	EA4760169	Electrolytic, 47 μ F, 16V
CN05	1	1	1	EA2270109	Electrolytic, 220 μ F, 10V
LN01	1	1	1	LY2048001	Relay, LY-2,48V
PN00-SEMICONDUCTORS & PLUGS					
HN01	1	1	1	HT313183A	Transistor, 2SC1318 P, Q, R
HN02	1	1	1	HT313183A	Transistor, 2SC1318 P, Q, R
HN03	1	1	1	HT313183A	Transistor, 2SC1318 P, Q, R
HN04	1	1	1	HD2001103	Diode, DS131B
HN05	1	1	1	HD2000110	Diode, 10D-2
JN01	1	1	1	YP1000113	Plug
JN14	14	14	14	YP1000113	Plug
GENERAL MISCELLANEOUS					
R001	1	1	1	RT0539414	Resistor, 390K Ω \pm 5%, 1/4W
R002	1	1	1	RT0539414	Resistor, 390K Ω \pm 5%, 1/4W
R003	1	1	1	RT0510414	Resistor, 100K Ω \pm 5%, 1/4W
R004	1	1	1	RT0510414	Resistor, 100K Ω \pm 5%, 1/4W
R005	1	1	1	RT0539414	Resistor, 390K Ω \pm 5%, 1/4W
R006	1	1	1	RT0539414	Resistor, 390K Ω \pm 5%, 1/4W
R007	1	1	1	RT0510414	Resistor, 100K Ω \pm 5%, 1/4W
R008	1	1	1	RT0510414	Resistor, 100K Ω \pm 5%, 1/4W
R009	1	1	1	RS0254008	Variable Resistor, 250K Ω (MN)
R011	1	1	1	RT0522214	Resistor, 2.2K Ω \pm 5%, 1/4W
R012	1	1	1	RT0522214	Resistor, 2.2K Ω \pm 5%, 1/4W
R013	1	1	1	GS1022203	Resistor, 2.2K Ω \pm 10%, 2.5W
R014	1	1	1	GS1022203	Resistor, 2.2K Ω \pm 10%, 2.5W
C001	1	1	1	DK1810301	Ceramic Cap., 0.01 μ F+80%, -20%, 50V
C002	1	1	1	DK1810301	Ceramic Cap., 0.01 μ F+80%, -20%, 50V
C003	1	1	1	DK1810301	Ceramic Cap., 0.01 μ F+80%, -20%, 50V
C004	1	1	1	DK1810301	Ceramic Cap., 0.01 μ F+80%, -20%, 50V
C005	1	1	1	DK1810301	Ceramic Cap., 0.01 μ F+80%, -20%, 50V
C006	1	1	1	DF1710452	Film Cap., 0.1 μ F \pm 20%, 200V
C007	1	1	1	ES1490701	Electrolytic, Cap., 14000 μ F x 2, 70V
C010	1	1	1	DK1810301	Ceramic Cap., 0.01 μ F+80%, -20%, 50V
C011	1	1	1	DF1710456	Film Cap., 0.1 μ F
C012	1	1	1	DF1710456	Film Cap., 0.1 μ F
G001	1	1	1	BF1040004	Cap. Comp., 0.1 μ F+120 Ω
G002	1	1	1	BF1040004	Cap. Comp., 0.1 μ F+120 Ω
G001	1	1	1	BF3330001	Cap. Comp., 0.033 μ F+120 Ω , 250VAC
G002	1	1	1	BF3330001	Cap. Comp., 0.033 μ F+120 Ω , 250VAC
F001	1	1	1	FS1080004	Fuse, 8A, MGC
F001	1	1	1	FS1050090	Fuse, 5A, SGA
M001	1	1	1	1N1005004	Lamp, 5V, 30mA
S001	1	1	1	SR0205010	Rotary Switch, Mode
S002	1	1	1	SP0202020	Push Switch, Speaker
S003	1	1	1	SP0202021	Push Switch, Power
L001	1	1	1	TS6330210	Power Transformer
L001	1	1	1	TS6330211	Power Transformer

REF. DESIG.	Q'TY			PART NO.	DESCRIPTION
	U	C	E		
H001	1	1	1	HT311160A	Transistor, 2SC1116A O or R
H002	1	1	1	HT311160A	Transistor, 2SC1116A O or R
H003	1	1	1	HT107470A	Transistor, 2SA747A O or R
H004	1	1	1	HT107470A	Transistor, 2SA747A O or R
H005	1	1	1	HT311160A	Transistor, 2SC1116A O or R
H006	1	1	1	HT311160A	Transistor, 2SC1116A O or R
H007	1	1	1	HT107470A	Transistor, 2SA747A O or R
H008	1	1	1	HT107470A	Transistor, 2SA747A O or R
H009	1	1	1	HD2001608	Diode, SG-5TS
H010	1	1	1	HD2001708	Diode, SG-5TR
J001	1	1	1	YT0208008	Terminal, 8P, RCA Pin
J002	1	1	1	YT0202011	Terminal, 2P, RCA Pin
J003	1	1	1	YT0204008	Terminal, 4P, RCA Pin
J004	1	1	1	YT0204008	Terminal, 4P, RCA Pin
J005	1	1	1	YJ1100016	Socket, DIN
J006	1	1	1	YJ1100016	Socket, DIN
J007	1	1	1	YT0204011	Terminal, 4P, RCA Pin
J008	1	1	1	YT0304012	Terminal, Speaker
J009	1	1	1	YT0304012	Terminal, Speaker
J010	1	1	1	YJ0100065	Jack, Headphone
J011	1	1	1	YJ0500020	Socket, Transistor
J012	1	1	1	YJ0500020	Socket, Transistor
J013	1	1	1	YJ0500020	Socket, Transistor
J014	1	1	1	YJ0500020	Socket, Transistor
J015	1	1	1	YJ0500020	Socket, Transistor
J016	1	1	1	YJ0500020	Socket, Transistor
J017	1	1	1	YJ0500020	Socket, Transistor
J018	1	1	1	YJ0500020	Socket, Transistor
J019	1	1	1	YT0101005	Terminal, Ground
J020	1	1	1	YJ0800012	Jack, Fuse Holder
J020			1	YJ0800022	Jack, Fuse Holder
J021	1	1	1	YJ0600093	Jack, 3P
J022	1	1	1	YJ0600093	Jack, 3P
J023	1	1	1	YJ0600093	Jack, 3P
J024	1	1	1	YJ0600094	Jack, 3P
J025	1	1	1	YJ0600095	Jack, 5P
J026	1	1	1	YJ0600096	Jack, 5P
J027	1	1	1	YJ0600107	Jack, 9P
J028	1	1	1	YJ0600107	Jack, 9P
J029	1	1	1	YJ0600101	Jack, 6P
J030	1	1	1	YJ0600102	Jack, 6P
J031	1	1	1	YJ0400056	Jack, AC Outlet
J032	1	1	1	YJ0400056	Jack, AC Outlet
J033	1	1	1	YJ0400056	Jack, AC Outlet
J034	1	1	1	YJ0400056	Jack, AC Outlet
J035	1	1	1	YJ0400056	Jack, AC Outlet
J036	1	1	1	YJ0400056	Jack, AC Outlet
J037			1	BY0311001	Jack, Voltage Conversion
J040	1	1	1	YJ0600084	Jack, 3P
J041	1	1	1	YJ0600103	Jack, 3P
W001			1	YC0240025	AC Power Cord
W001			1	YC0190003	AC Power Cord
W001			1	YC0240017	AC Power Cord

REF. DESIG.	Q'TY			PART NO.	DESCRIPTION
	U	C	E		
PG00	1	1	1	YD2947010	BUFFER AMP CIRCUIT BOARD-PG00
	1	1	1	ZZ2947010	P.W. Board, Buffer Amp P.W. Board Assembly
					PG00-RESISTORS
RG01	1	1	1	RT0510514	1M Ω \pm 5%, $\frac{1}{4}$ W
RG02	1	1	1	RT0510514	1M Ω \pm 5%, $\frac{1}{4}$ W
RG03	1	1	1	RT0510214	1K Ω \pm 5%, $\frac{1}{4}$ W
RG04	1	1	1	RT0510214	1K Ω \pm 5%, $\frac{1}{4}$ W
RG05	1	1	1	RT0568214	6.8K Ω \pm 5%, $\frac{1}{4}$ W
RG06	1	1	1	RT0568214	6.8K Ω \pm 5%, $\frac{1}{4}$ W
RG07	1	1	1	RT0510314	10K Ω \pm 5%, $\frac{1}{4}$ W
RG08	1	1	1	RT0510314	10K Ω \pm 5%, $\frac{1}{4}$ W
RG09	1	1	1	RT0510414	100K Ω \pm 5%, $\frac{1}{4}$ W
RG10	1	1	1	RT0510414	100K Ω \pm 5%, $\frac{1}{4}$ W
RG11	1	1	1	RT0515114	150 Ω \pm 5%, $\frac{1}{4}$ W
RG12	1	1	1	RT0515114	150 Ω \pm 5%, $\frac{1}{4}$ W
RG13	1	1	1	RT0510014	10 Ω \pm 5%, $\frac{1}{4}$ W
RG14	1	1	1	RT0510014	10 Ω \pm 5%, $\frac{1}{4}$ W
RG15	1	1	1	RG0254006	Variable, 250K Ω x2+50K Ω x2
					PG00-CAPACITORS
CG01	1	1	1	DF1722401	Film, 0.22 μ F \pm 20%, 50V
CG02	1	1	1	DF1722401	Film, 0.22 μ F \pm 20%, 50V
CG03	1	1	1	DD1104001	Ceramic, 4PF ϕ :5PF, 50V
CG04	1	1	1	DD1104001	Ceramic, 4PF 0.5PF, 50V
CG05	1	1	1	EV1060256	Electrolytic, 10 μ F, 25V
CG06	1	1	1	EV1060256	Electrolytic, 10 μ F, 25V
CG07	1	1	1	DD1510102	Ceramic, 100PF \pm 5%, 50V
CG08	1	1	1	DD1510102	Ceramic, 100PF \pm 5%, 50V
CG09	1	1	1	DK1840301	Ceramic, 0.4 μ F
CG10	1	1	1	DK1840301	Ceramic, 0.4 μ F
					PG00-TRANSISTORS & PLUGS
HG01	1	1	1	HT108412A	Transistor, 2SA841 GR, BL
HG02	1	1	1	HT108412A	Transistor, 2SA841 GR, BL
HG03	1	1	1	HT318852C	Transistor, 2SC1885 R, S
HG04	1	1	1	HT318852C	Transistor, 2SC1885 R, S
JG01					
?	10	10	10	YP1000113	Plug
JG10					
					FUSE CIRCUIT BOARD-PP00
PP00	1			YD2947011	P.W. Board, Fuse
				ZZ2947011	P.W. Board Assembly
					PP00-MISCELLANEOUS
JP01	1			YJ0800017	Jack
JP02	1			YJ0800017	Jack
JP03	1			YJ0800017	Jack
JP04	1			YJ0800017	Jack
JP05	1			YJ0800017	Jack
JP06	1			YJ0800017	Jack
JP07	1			YP1000099	Plug
JP08	1			YP1000099	Plug
JP09	1			YP1000099	Plug
JP10	1			YP1000099	Plug
JP11	1			YP1000099	Plug
JP12	1			YP1000099	Plug
FP01	1			FS1080004	Fuse, 8A, MGC
FP02	1			FS1015003	Fuse, 1.5A
FP03	1			FS1015003	Fuse, 1.5A

NOTES

10. TECHNICAL SPECIFICATIONS

AMPLIFIER SECTION

RATED POWER OUTPUT, MINIMUM CONTINUOUS AVERAGE	
POWER PER CHANNEL, BOTH CHANNELS DRIVEN.	125W
POWER BAND.	20 Hz to 20 kHz
TOTAL HARMONIC DISTORTION.	0.1%
LOAD IMPEDANCE.	8 Ω
I.M. Distortion (I.H.F. Method, 60 Hz and 7 kHz	
mixed 4 to 1)	0.1%
Damping Factor at 20 Hz	50
at 1 kHz	55
Main Inputs	
Sensitivity	1.5 V
Impedance.	75 k Ω
Frequency Response (at 1 W output)	20 Hz to 20 kHz, ± 0.2 dB
	5 Hz to 60 kHz, ± 1.0 dB

PREAMPLIFIER SECTION

Phono:

Input Overload at 1 kHz	300 mV
Equivalent Input Noise (RMS, 20 Hz to 20 kHz)	0.85 μ V
Dynamic Range: Ratio of Input Overload	
to Equivalent Input Noise	111 dB
Input Sensitivity	1.8 mV
Impedance.	47 k Ω
Frequency Response (Maximum deviation from RIAA standard)	20 Hz to 20 kHz, ± 0.3 dB
Signal-To-Noise Ratio (Ref. to Rated Output	
and 7.75 mV input).	78 dB

Microphone Input:

Sensitivity	1.8 mV
Impedance.	10 k Ω

High Level Inputs (Aux & Tuner):

Sensitivity	180 mV
Impedance.	60 k Ω
Frequency Response (includes Power Amp.)	10 Hz to 50 kHz, ± 1.0 dB
	20 Hz to 20 kHz, ± 0.25 dB

Signal-to-Noise Ratio (Ref. to rated output	
and 775 mV input)	90 dB

Output Levels:

Tape Record (Ref. 7.75 mV at Phono Inputs).	775 mV
Pre-Out (Ref. 180 mV at Aux. Input)	1.5 V
Pre-Out (Ref. 775 mV at Aux. In,	
Main Amp. Disconnected).	6.5 V
Pre-Out (Max Output for 0.5% THD)	10 V

Output Impedance:

Tape Record	200 Ω
Pre-Out	200 Ω

Tone Controls:

Bass: Normal turnover	±12 dB at 50 Hz
250 Hz turnover	±6 dB at 50 Hz
Mid:	±6 dB at 700 Hz
Treble: Normal turnover	±12 dB at 15 kHz
4 kHz turnover	±5 dB at 15 kHz

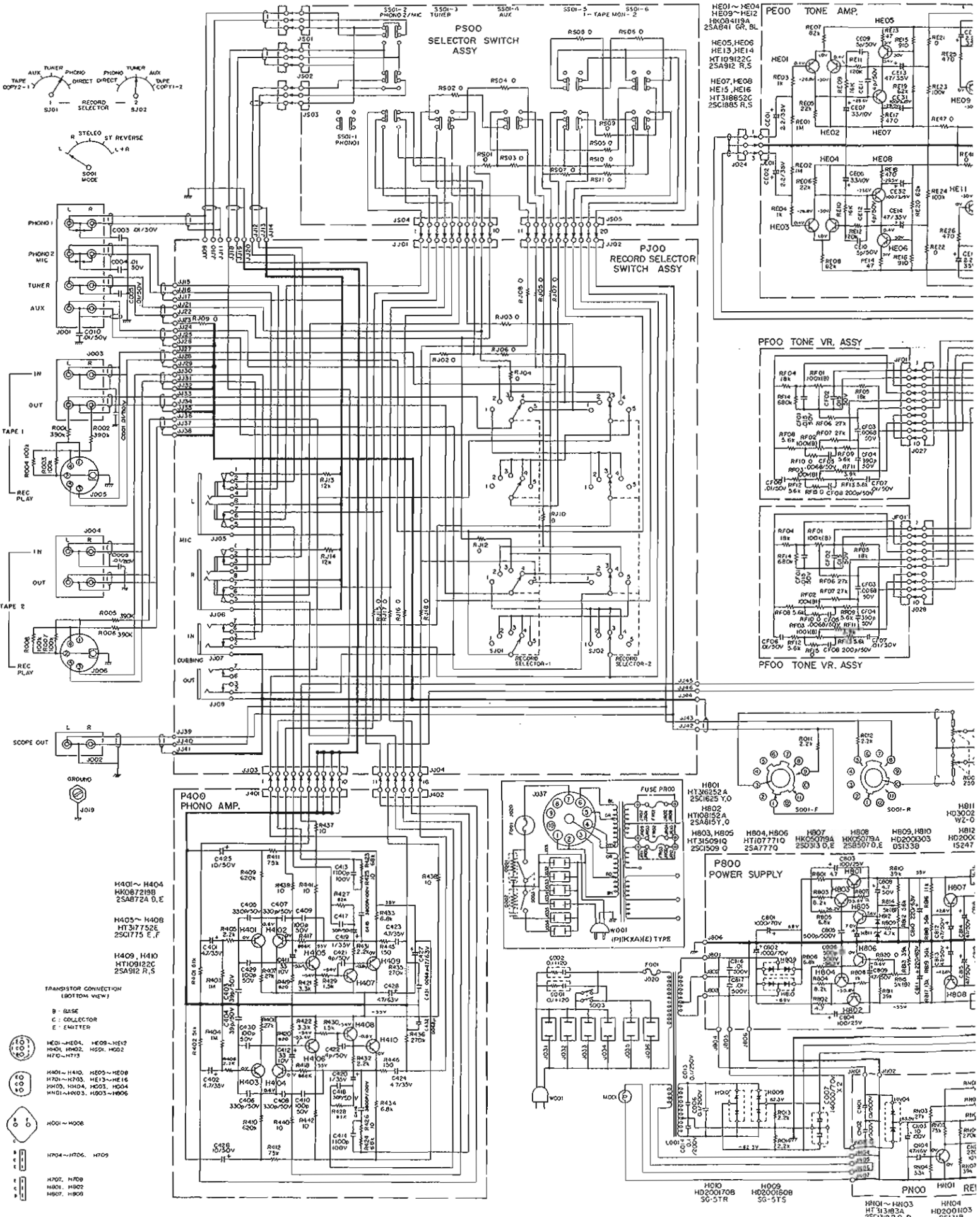
Filters:

Low	30 Hz, 12 dB/octave
High	9 kHz, 12 dB/octave

GENERAL

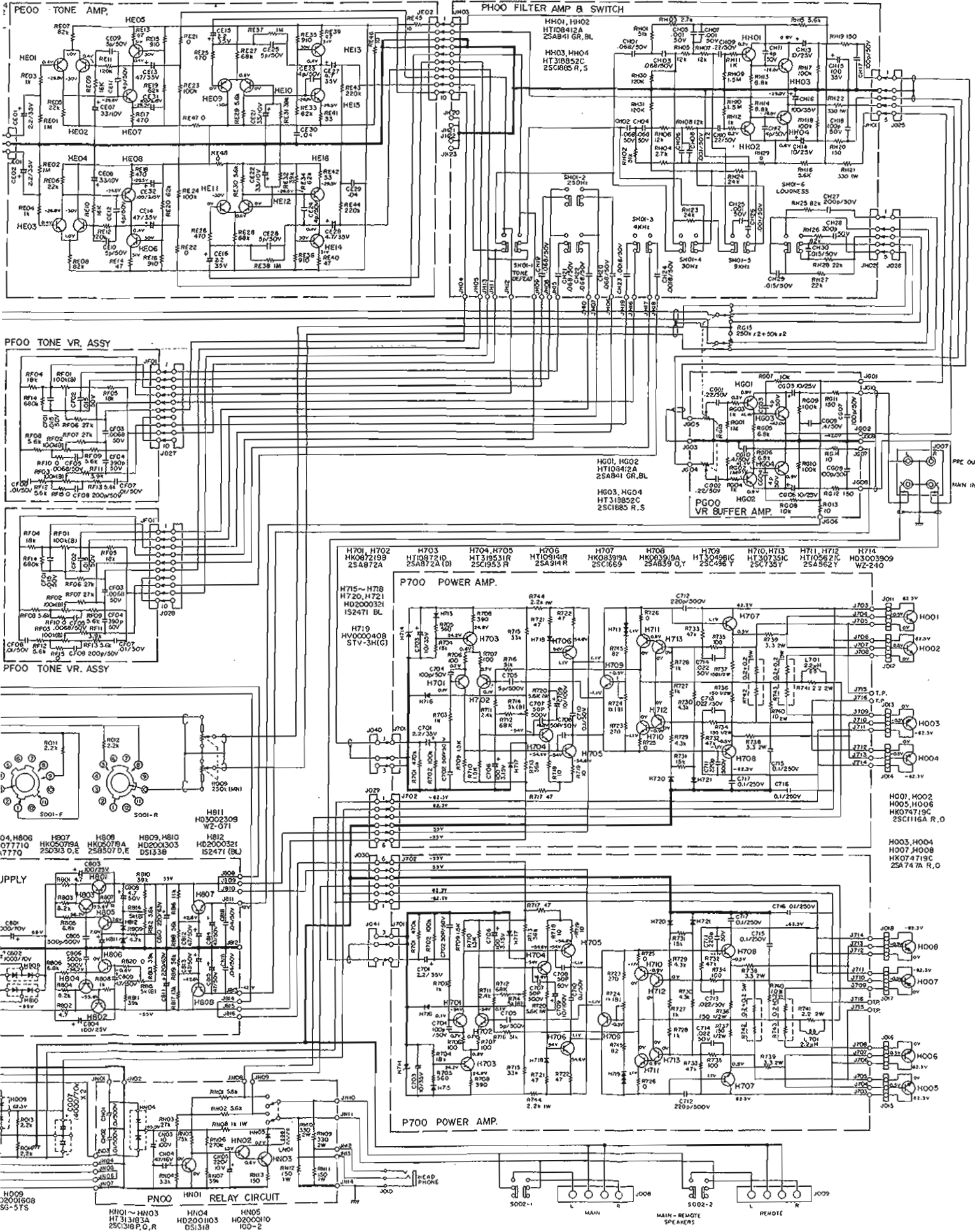
Power Requirements	120 V AC, 60 Hz (for U.S.A. & Canada) 110/120/220/240 V ~, 50/60 Hz (for Europe)
Power Consumption	450 W
Dimensions:	
Width	15-3/8"
Height	5-3/4"
Depth	12-3/8"
Weight:	
Model 1250 Only	40.7 lbs.
Packed for Shipment	47.3 lbs.

11. SCHEMATIC DIAGRAMS

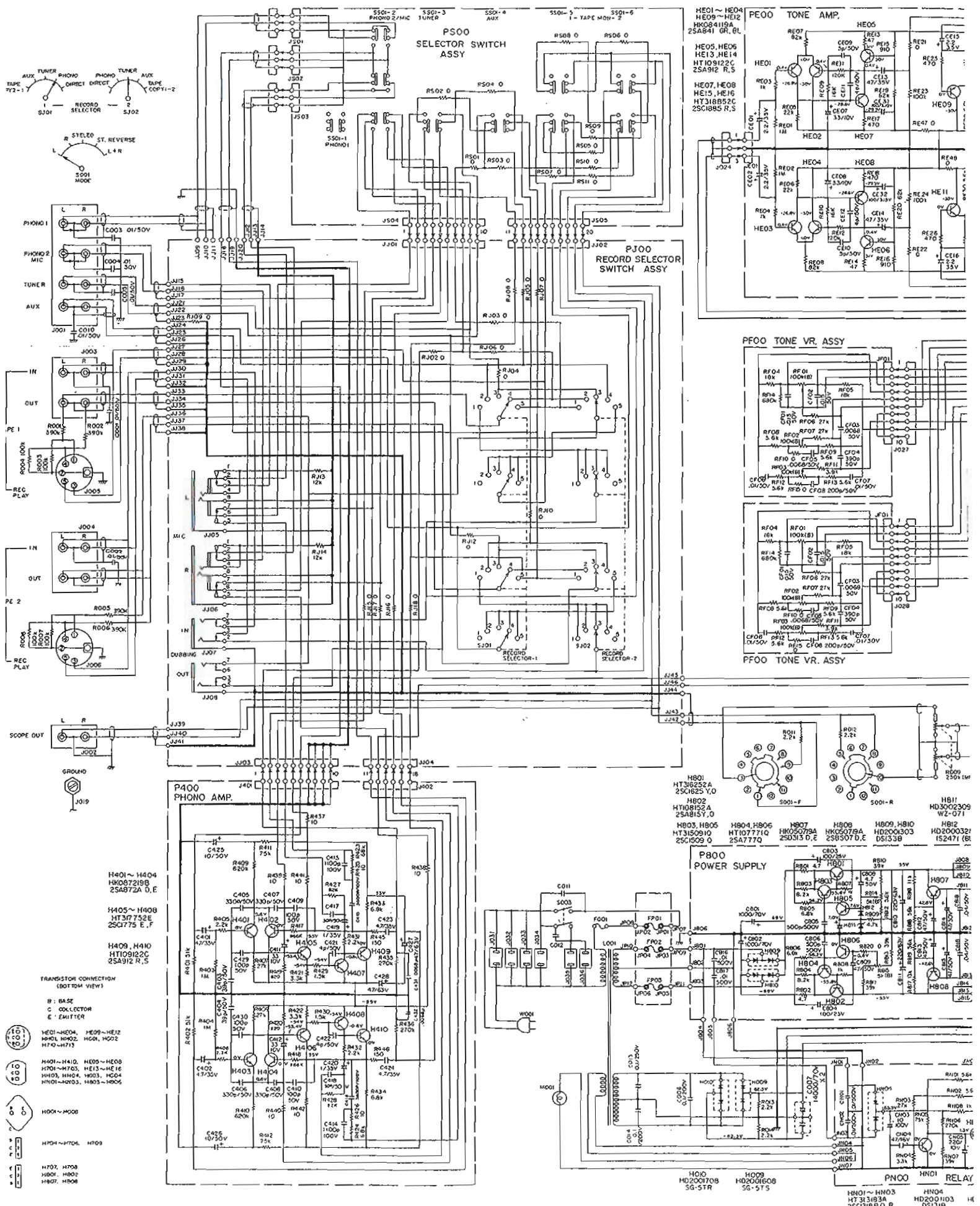


NOTE: This schematic diagram applies to units manufactured for the

MODEL 125U

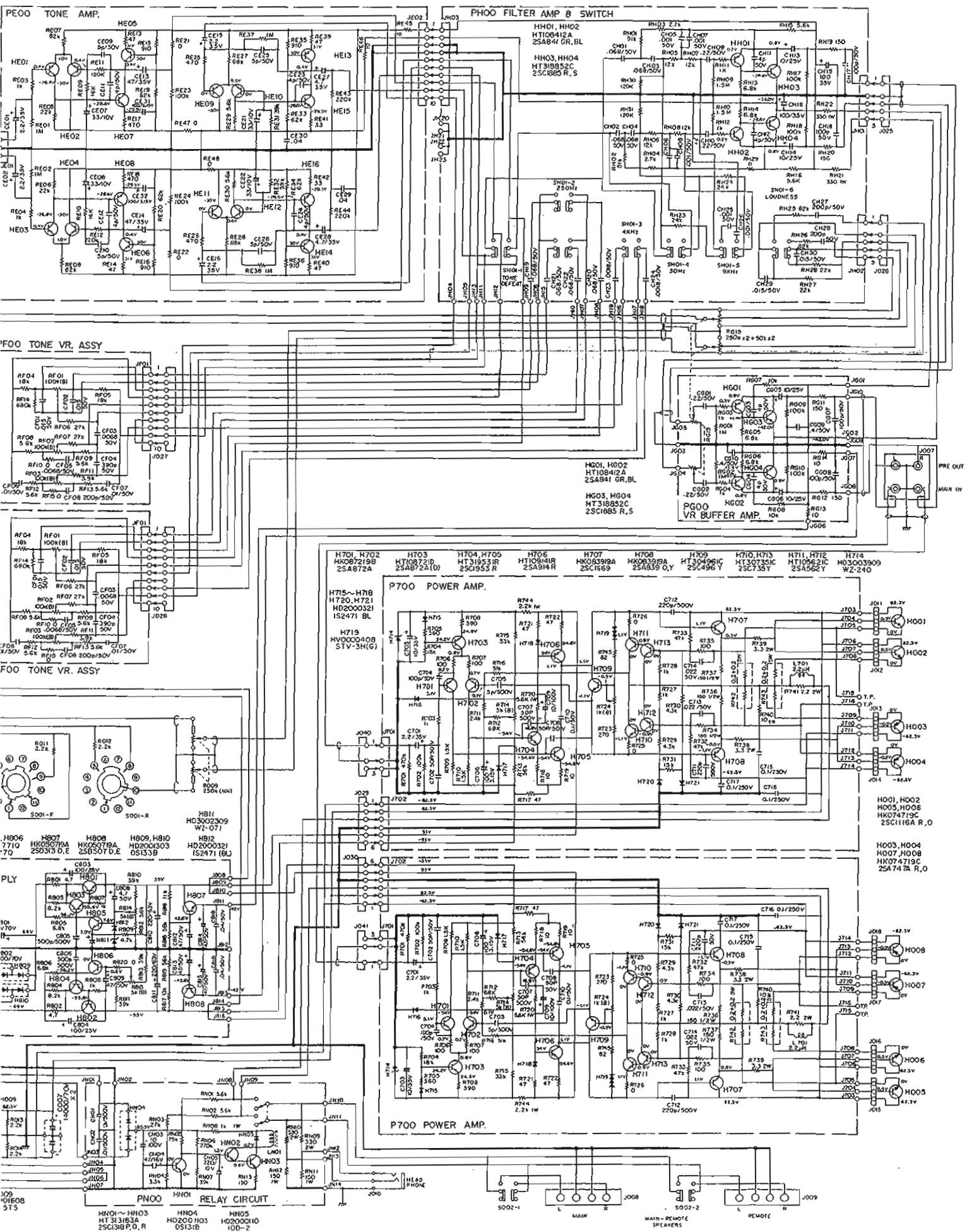


im applies to units manufactured for the U.S.A. and European market



NOTE: This schematic diagram applies to units manufactured for

MODEL 1250



iamram applies to units manufactured for the Canada market



marantz

MARANTZ CO., INC. • P.O. BOX 577 • CHATSWORTH, CALIFORNIA • 91311

A WHOLLY-OWNED SUBSIDIARY OF SUPERSCOPE INC., CHATSWORTH, CALIFORNIA • 91311